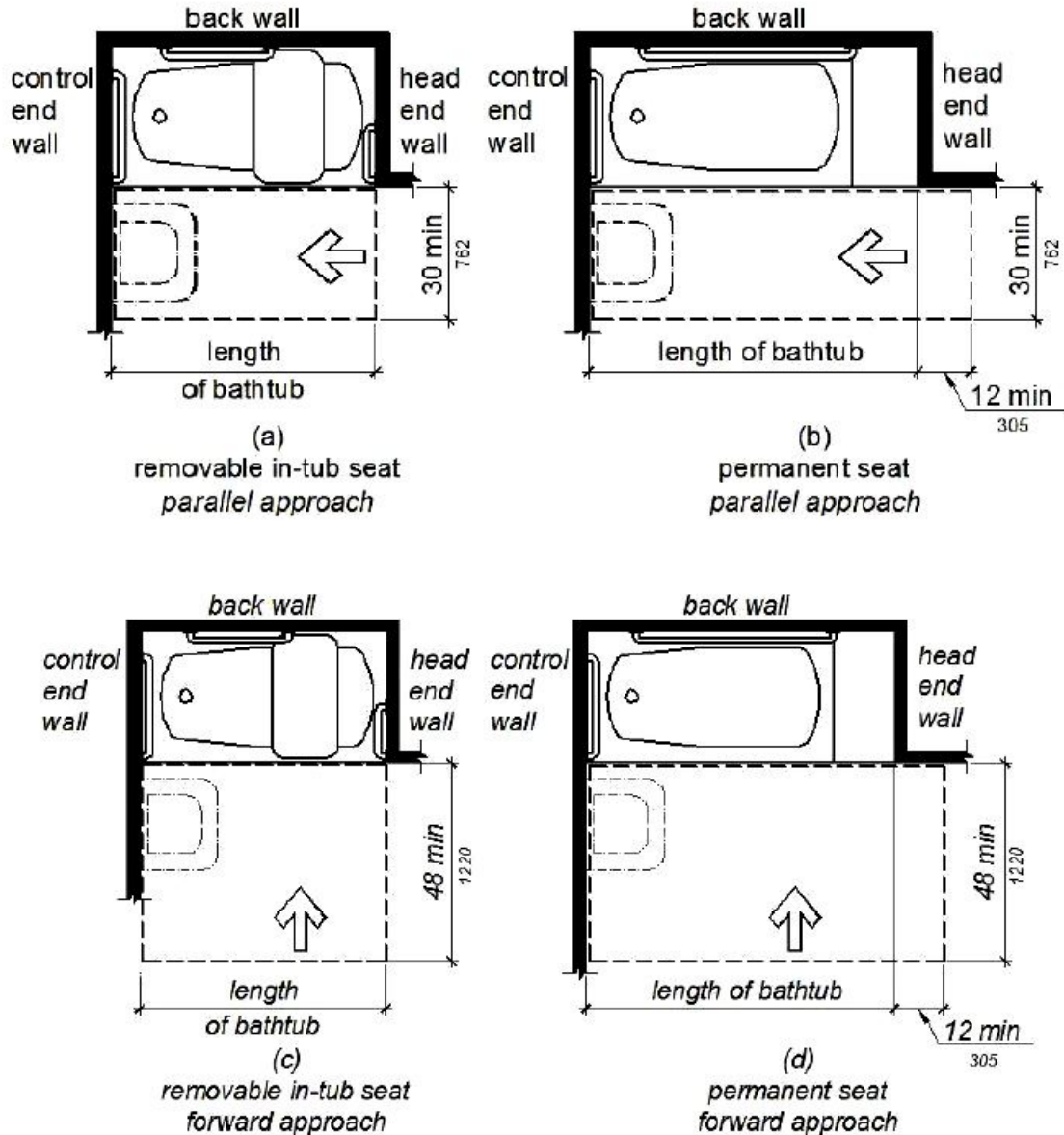


ACCESSIBILITY DETAILS FOR TUBS AND SHOWERS



**FIGURE 11B-607.2
 CLEARANCE FOR BATHTUBS**

THESE DIAGRAMS ILLUSTRATE THE SPECIFIC REQUIREMENTS OF THESE REGULATIONS AND ARE INTENDED ONLY AS AN AID FOR BUILDING DESIGN AND CONSTRUCTION.

TUBS AND SHOWERS

11B-607.5 Controls, other than drain stoppers, shall be located on an end wall. Controls shall be between the bathtub rim and grab bar, and between the open side of the bathtub and the centerline of the width of the bathtub. Controls shall comply with Section 11B-309.4.

11B-607.6 A shower spray unit with a hose 59 inches (1499 mm) long minimum that can be used both as a fixed-position shower head and as a handheld shower shall be provided. The shower spray unit shall have an on/off control with a non-positive shut-off. If an adjustable-height shower head on a vertical bar is used, the bar shall be installed so as not to obstruct the use of grab bars. Bathtub shower spray units shall deliver water that is 120°F (49°C) maximum.

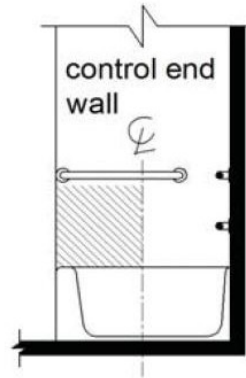


FIGURE 11B-607.5
BATHTUB CONTROL LOCATION

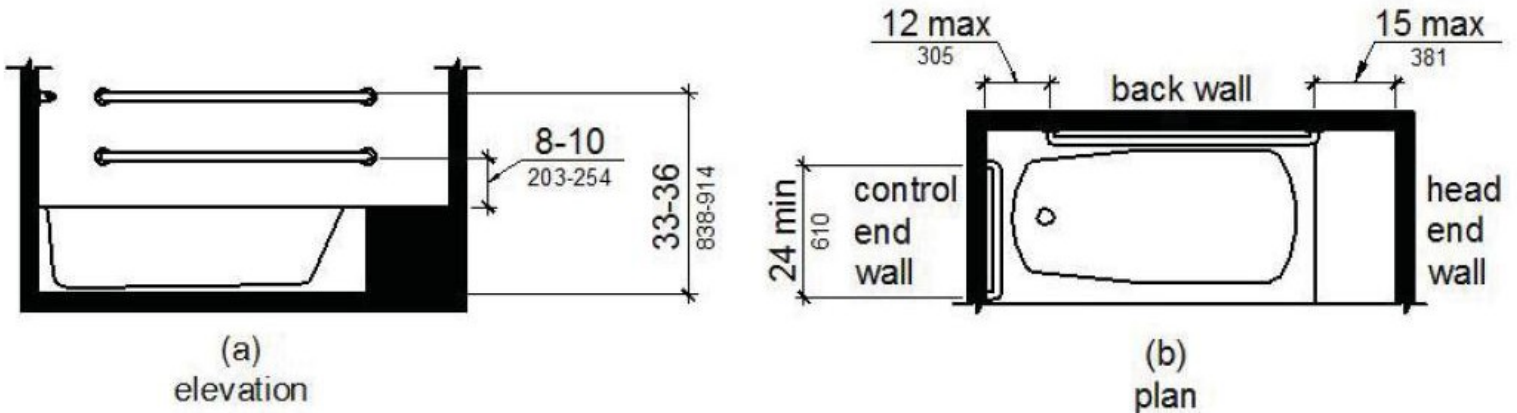


FIGURE 11B-607.4.1
GRAB BARS FOR BATHTUBS WITH PERMANENT SEATS

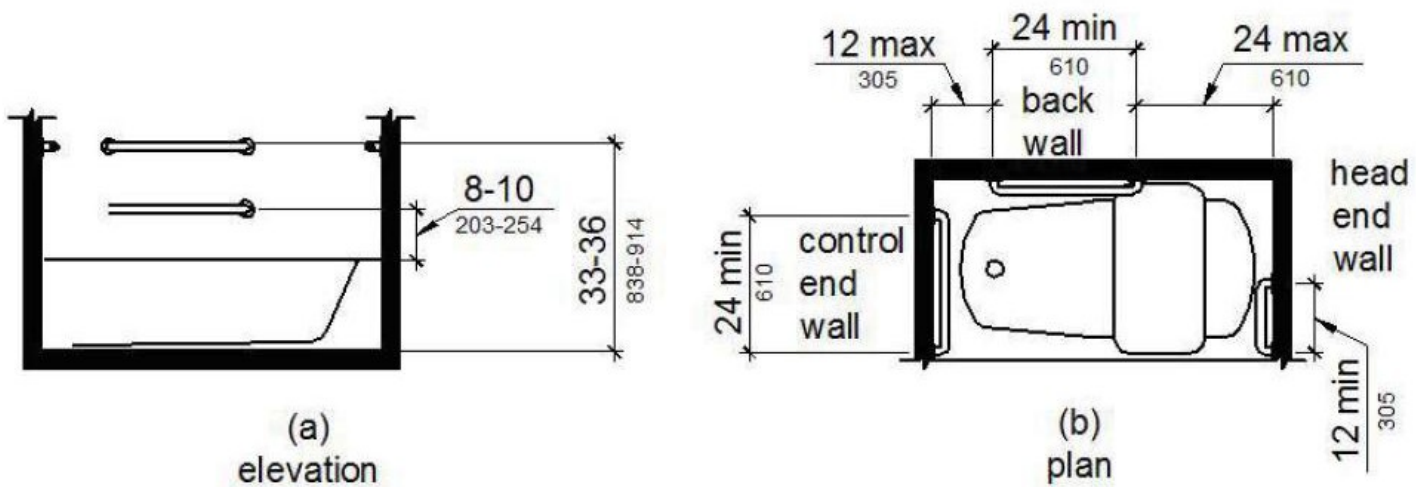
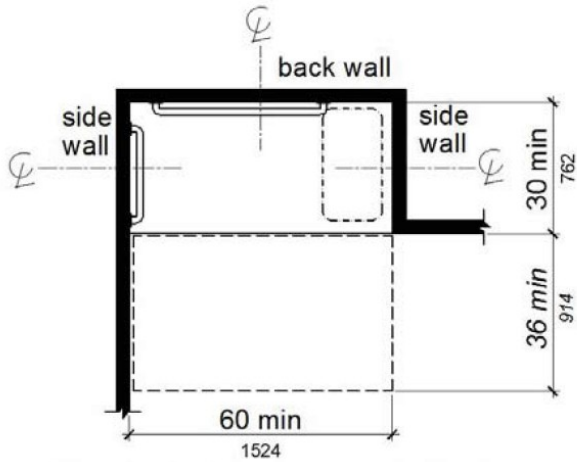


FIGURE 11B-607.4.2
GRAB BARS FOR BATHTUBS WITH REMOVABLE IN-TUB SEATS

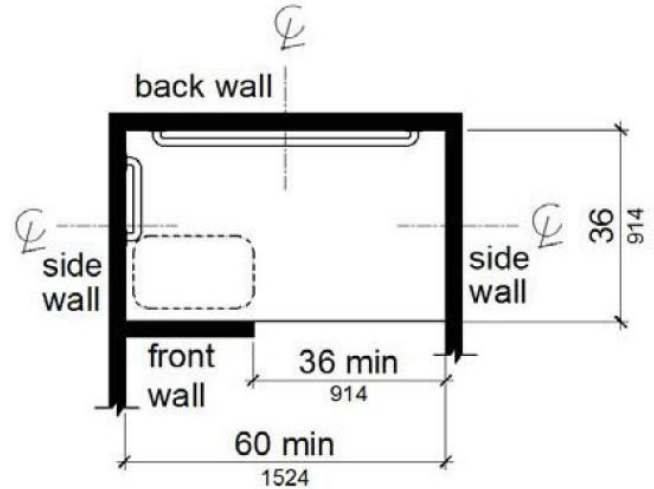
THESE DIAGRAMS ILLUSTRATE THE SPECIFIC REQUIREMENTS OF THESE REGULATIONS AND ARE INTENDED ONLY AS AN AID FOR BUILDING DESIGN AND CONSTRUCTION.

TUBS AND SHOWERS



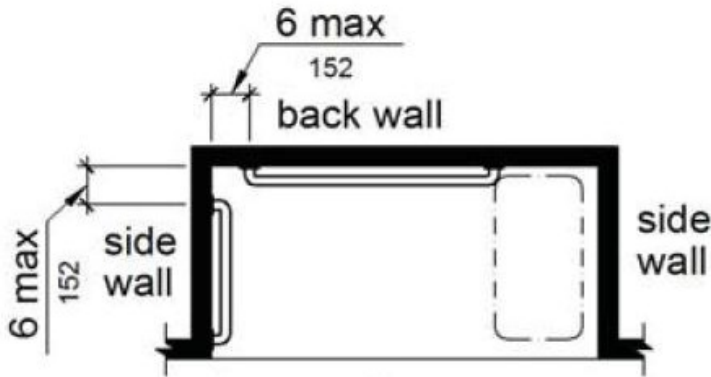
Note: inside finished dimensions measured at the center points of opposing sides

**FIGURE 11B-608.2.2
 STANDARD ROLL-IN TYPE
 SHOWER COMPARTMENT SIZE AND CLEARANCE**

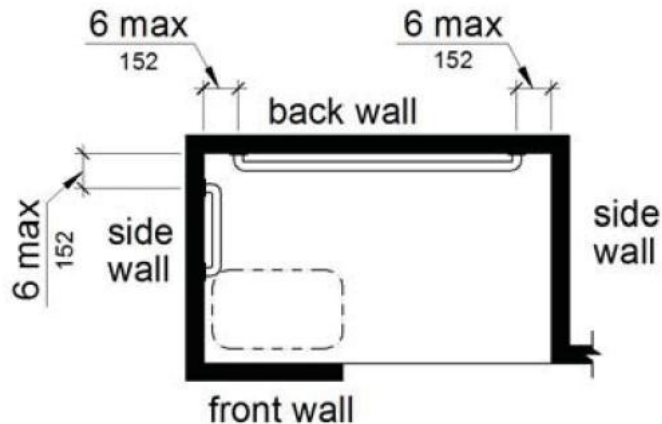


Note: inside finished dimensions measured at the center points of opposing sides

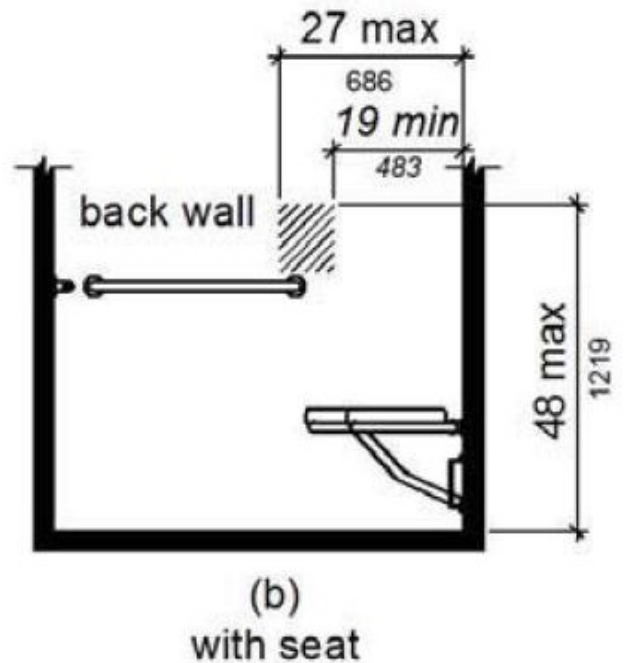
**FIGURE 11B-608.2.3
 ALTERNATE ROLL-IN TYPE
 SHOWER COMPARTMENT SIZE AND CLEARANCE**



**FIGURE 11B-608.3.2
 GRAB BARS FOR STANDARD ROLL-IN
 TYPE SHOWER (with seat)**



**FIGURE 11B-608.3.3
 GRAB BARS FOR ALTERNATE ROLL-IN TYPE SHOWERS**



**FIGURE 11B-608.5.2
 STANDARD ROLL-IN TYPE
 SHOWER COMPARTMENT CONTROL LOCATION**

TUBS AND SHOWERS

FIGURE 11B-608.5.3
ALTERNATE ROLL-IN TYPE
SHOWER COMPARTMENT
CONTROL LOCATION

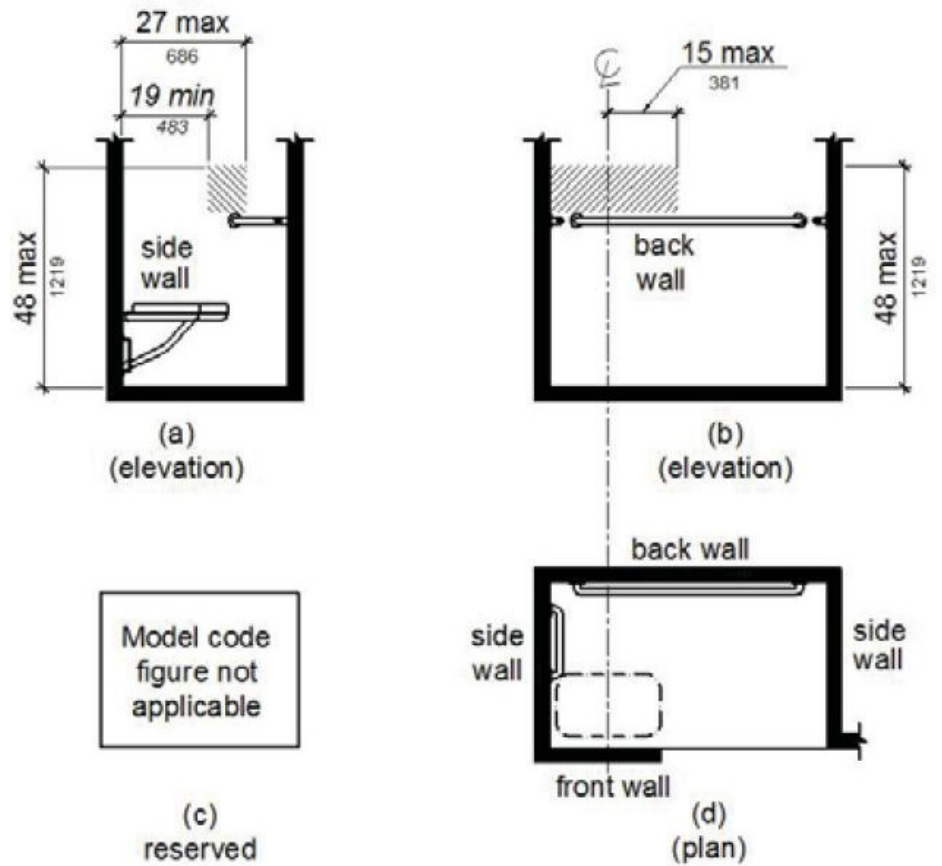
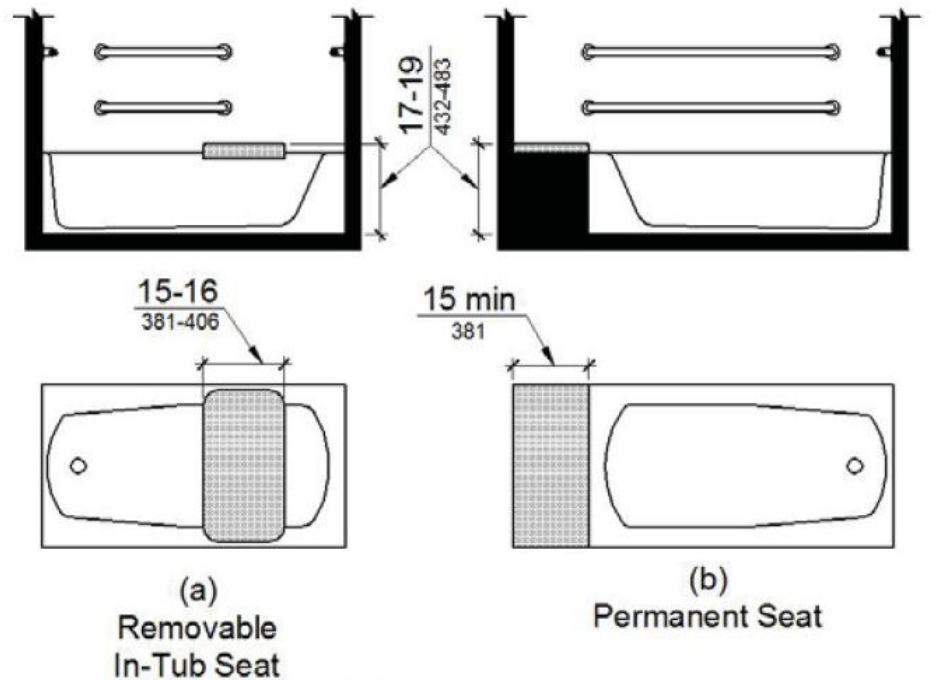


FIGURE 11B-610.2
BATHTUB SEATS



TUBS AND SHOWERS

11B-610.1 General. Seats in bathtubs and shower compartments shall comply with Section 11B-610.

11B-610.2 Bathtub seats. The top of bathtub seats shall be 17 inches minimum and 19 inches maximum above the bathroom finish floor. The depth of a removable in-tub seat shall be 15 inches (381 mm) minimum and 16 inches maximum. The seat shall be capable of secure placement. Permanent seats at the head end of the bathtub shall be 15 inches deep minimum and shall extend from the back wall to or beyond the outer edge of the bathtub.

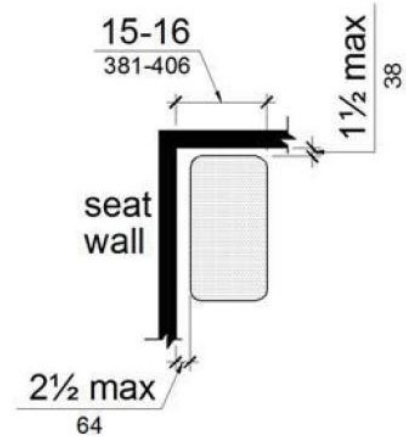


FIGURE 11B-610.3.1
RECTANGULAR SHOWER SEAT

11B-610.3 Shower compartment seats. A seat in a standard roll-in shower compartment shall be a folding type, shall be installed on the side wall adjacent to the controls, and shall extend from the back wall to a point within 3 inches of the compartment entry. A seat in an alternate roll-in type shower compartment shall be a folding type, shall be installed on the front wall opposite the back wall, and shall extend from the adjacent side wall to a point within 3 inches of the compartment entry. The top of the seat shall be 17 inches minimum and 19 inches maximum above the bathroom finish floor. When folded, the seat shall extend 6 inches maximum from the mounting wall. Seats shall comply with Section 11B-610.3.1 or 11B-610.3.2.

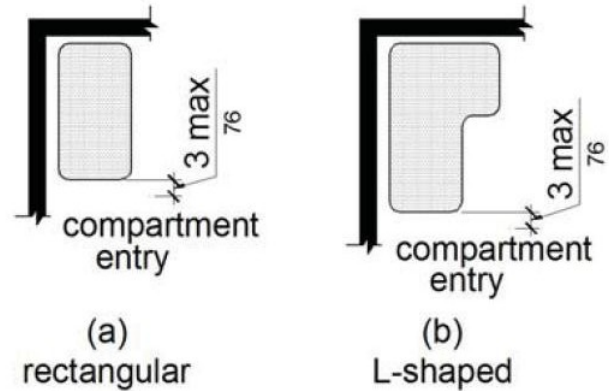


FIGURE 11B-610.3
EXTENT OF SEAT

11B-610.3.1 Rectangular seats. The rear edge of a rectangular seat shall be 2 1/2 inches maximum and the front edge 15 inches minimum and 16 inches maximum from the seat wall. The side edge of the seat shall be 1 1/2 inches maximum from the adjacent wall.

11B-610.3.2 L-shaped seats. The rear edge of an L-shaped seat shall be 2 1/2 inches maximum and the front edge 15 inches minimum and 16 inches maximum from the seat wall. The rear edge of the “L” portion of the seat shall be 1 1/2 inches maximum from the wall and the front edge shall be 14 inches minimum and 15 inches maximum from the wall. The end of the “L” shall be 22 inches minimum and 23 inches maximum from the main seat wall.

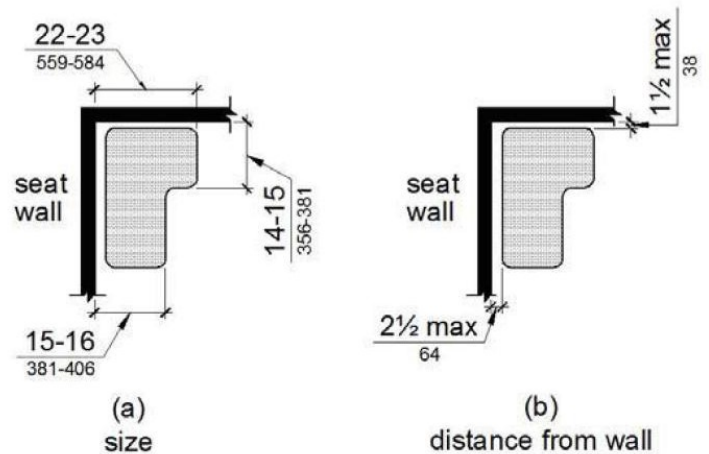


FIGURE 11B-610.3.2
L-SHAPED SHOWER SEAT

11B-610.4 Structural strength. Allowable stresses shall not be exceeded for materials used when a vertical or horizontal force of 250 pounds (1112 N) is applied at any point on the seat, fastener, mounting device, or supporting structure.

As a covered entity under Title II of the Americans with Disabilities Act, the City of Los Angeles does not discriminate on the basis of disability and, upon request, will provide reasonable accommodation to ensure equal access to its programs, services and activities. For efficient handling of information internally and in the internet, conversion to this new format of code related and administrative information bulletins including MGD and RGA that were previously issued will also allow flexibility and timely distribution of information to the public.