

**APPENDIX  
FENCE GENERAL NOTES**

1. Fabric: 9 gage, 2" mesh, knuckle top and bottom, placed on the outside of posts, single fabric width for the entire height.

2. All fencing to be standard galvanized finish.

<u>Material</u>	<u>Minimum Weight of Coating Oz./Sq. Ft.</u>
Bolts, Screws, Nuts & Washers & Chain Link Fabric	1.25
Steel Pipe, (including fence post)	1.80
Other Chain Link Articles	.80

3. Posts: End, corner, gate and slope post 3" O.D. nominal diameter. Line posts 2" nominal diameter.

4. Rails: Top, bottom and mid-rail 1-1/4 nominal diameter complete with end caps and clamps for attachment to posts.

5. Truss Rod: 3/8" and threaded at both ends and tensioned with two industrial truss tighteners secured to the rail ends.

6. Stretcher Bar: 3/16" X 3/4" with 1/8" X 1" tension bands at 1' -0" O.C.

7. Tie Wires: 11 gage at 1'-6" O.C. at the top, bottom, mid-rails and line posts.

8. Provide a 2" crown at the top of all post footing.

9. Attach top and bottom rails to posts with semi-steel end caps secured with 1/8" brace bands.

10. Post will be embedded in concrete footings. Footings will be minimum of 24 inches in depth, below grade.

11. Steel pipe schedule 40 galvanized, standard weight.

12. Galvanized surfaces which have been damaged in transport or during installation shall be re-coated using the metalizing process, zinc oxide or zinc dust paint.

13. All connection bolts shall not be more than 1/4 inch past the end of the nut and free from burrs. All bolts must be secured in such a way as to be non removable to prevent theft.

14. All materials to be new and hot-dipped galvanized.

15. Provide malleable iron eye-top caps of suitable design to provide moisture-proof cap for posts.

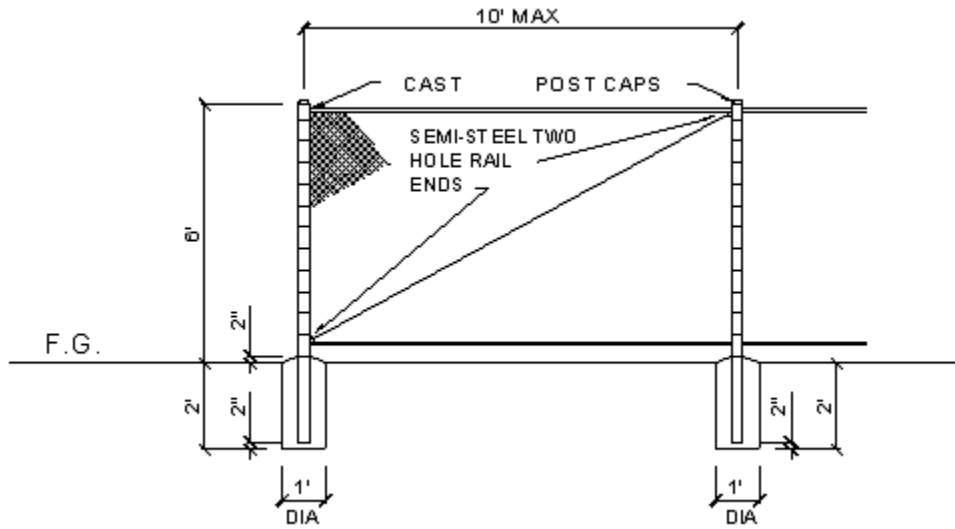
16. Top Wire: Extend through post eye-top caps and attach ends to corner, gate, and/or terminal posts.

17. Bracing:

- a. Horizontal: locate mid-height in fencing panels adjacent to gates, corner, and terminal posts.
  - b. Diagonal: Extend from the joint of horizontal brace (with adjacent post) diagonally to the base of gate, corner, or terminal post.
18. Fabric: Tightly stretch and secure to posts, fasten to top rail with steel bands spaced maximum 18" apart or as recommended by manufacturer. Secure fabric to terminal and gate posts by means of steel bands bolted to 3/16" x 3/4" tension bars passing vertically through full height of fabric. Locate bottom edge of fabric maximum 3/4" above finish grade or pavement along fence's entire length and secure bottom tension wire with galvanized clip rings spaced not more than 18" apart.
19. Access to Lot: A ten foot wide driveway opening fitted with two 5' wide, 8' high walk gates.
- a. Frame to be made of 1-3/8" O.D. (1-1/2" nominal) galvanized steel.
  - b. Filler to match fence fabric.
  - c. Equipped with scroll top.
  - d. Each leaf to have drop rod assembly.
  - e. Latch with padlock attachment.
  - f. Weld approximately 6" length of chain to each side at gate latch for connection with padlock.
  - g. Two (2) hinges per leaf.
  - h. Provide new condition padlock. Master #1 or equivalent. Keys must be all keyed alike and are to be furnished to the Department prior to final approval.
  - i. All necessary hinges, brackets, latches, bolts & connections shall be secured by welding as per AWSD1.1 to prevent removal of any & all gates installed.
  - j. All welds shall be tack welded, minimum of 4 locations per hinge, bracket & connections.
  - k. At any time contractor shall install or attempt to install in a location under the approved work order, a fence that shall not allow individuals to use an existing installed fence or structure as a leverage point to enter premises. If such situation occurs at site contractor is to notify the Inspector or supervisor of said Inspector before installation.
20. Lock: Fence/gate shall be secured with a "Master" lock Number 1 or equivalent with the following specifications:
- a. Reinforced 1-3/4" (44mm) wide laminated steel body
  - b. Hardened 5/16" (8mm) diameter steel shackle
  - c. Precision 4-pin tumbler cylinder
  - d. Dual independent locking levers
  - e. Rustproofed for extended wear
21. Signage shall be posted as follows
- a. 12" x 24" minimum.
  - b. Incombustible material.
  - c. Minimum of four(4) holes, the maximum dimension of 1/4", punched or drilled no closer than 3/8" from

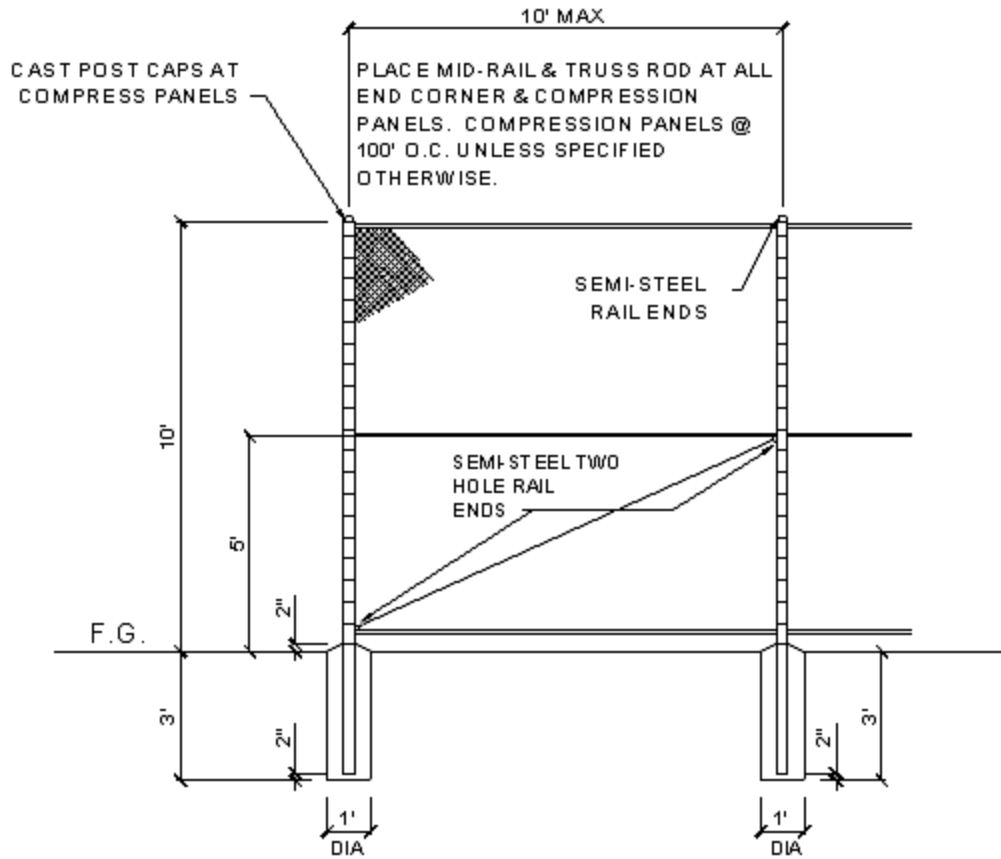
**THIS PROPERTY CLOSED  
TO THE PUBLIC  
No Entry Without Permission  
L.A.M.C. SEC. 41.24**

# 6 FOOT CHAIN LINK FENCE



**ELEVATION**  
**NOT TO SCALE**

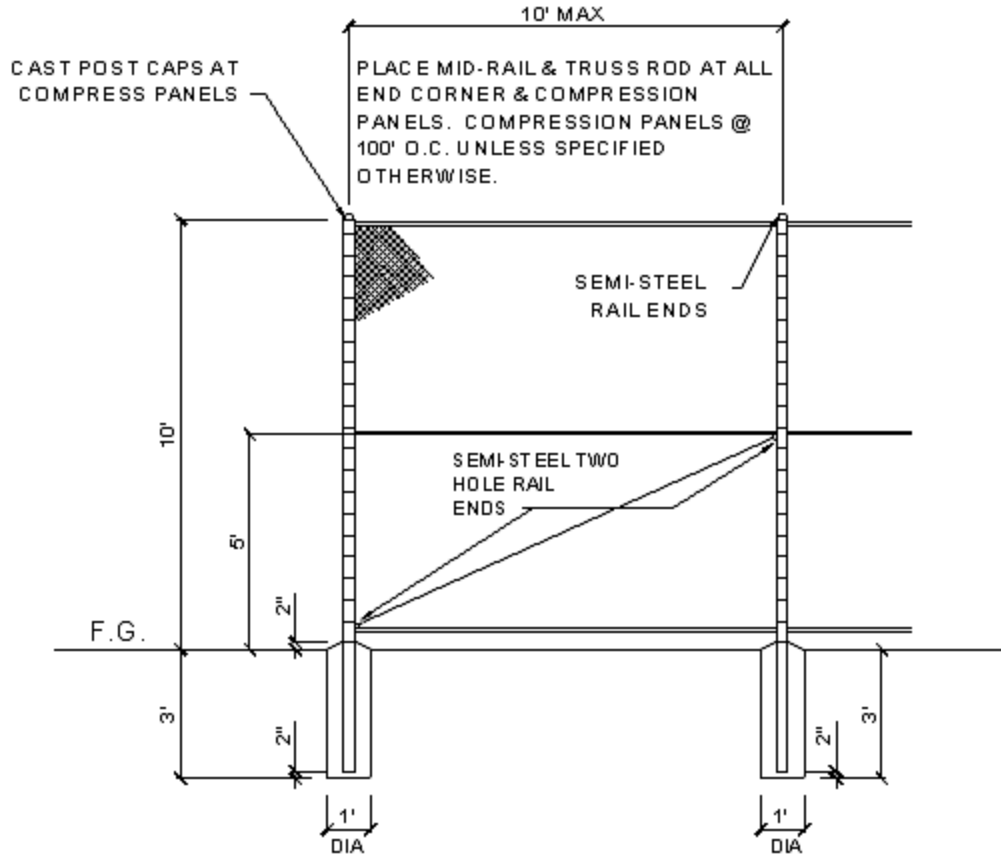
# 8 FOOT CHAIN LINK FENCE



## ELEVATION

NOT TO SCALE

# 10 FOOT CHAIN LINK FENCE



## ELEVATION

NOT TO SCALE