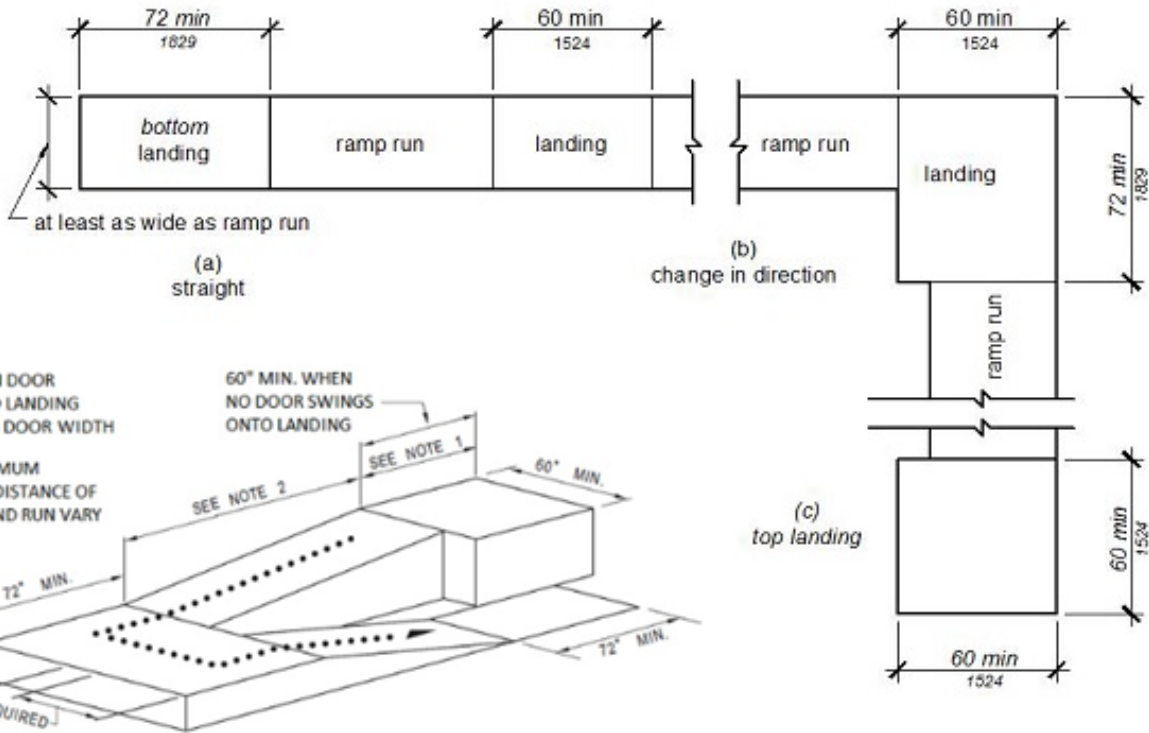


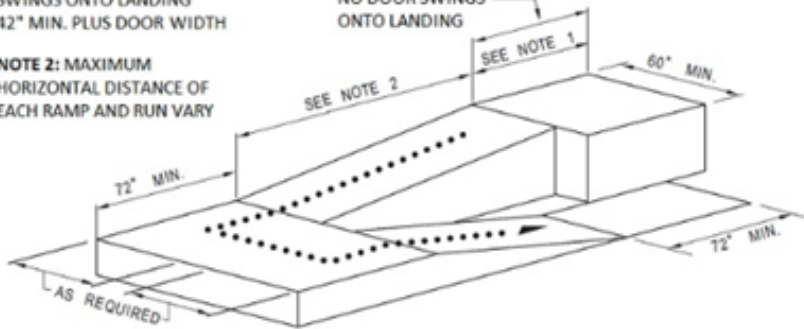
**ACCESSIBILITY DETAILS FOR RAMPS, STAIRS & ELEVATORS**



**NOTE 1:** WHEN DOOR SWINGS ONTO LANDING 42" MIN. PLUS DOOR WIDTH

60" MIN. WHEN NO DOOR SWINGS ONTO LANDING

**NOTE 2:** MAXIMUM HORIZONTAL DISTANCE OF EACH RAMP AND RUN VARY



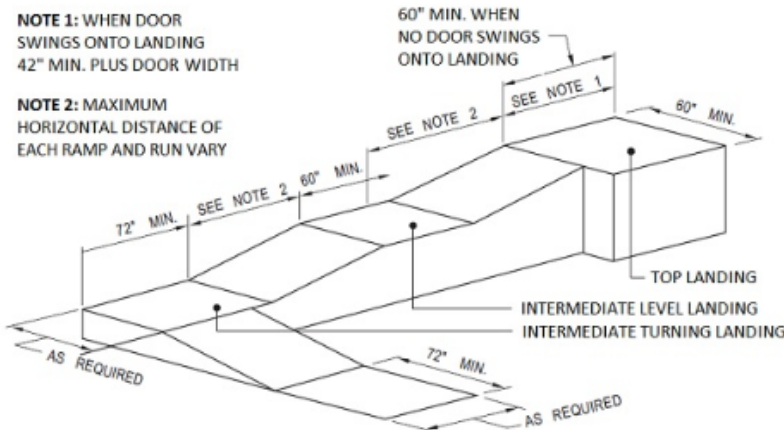
**RAMP WITH INTERMEDIATE SWITCH BACK PLATFORM**

**FIGURE 11B-405.7 RAMP LANDING**

**NOTE 1:** WHEN DOOR SWINGS ONTO LANDING 42" MIN. PLUS DOOR WIDTH

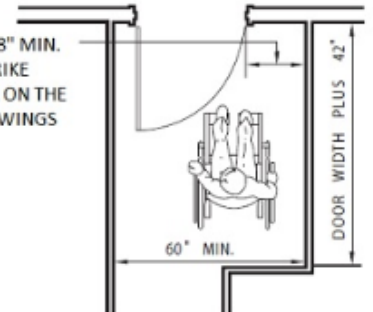
60" MIN. WHEN NO DOOR SWINGS ONTO LANDING

**NOTE 2:** MAXIMUM HORIZONTAL DISTANCE OF EACH RAMP AND RUN VARY



**RAMP WITH TURNING PLATFORM**

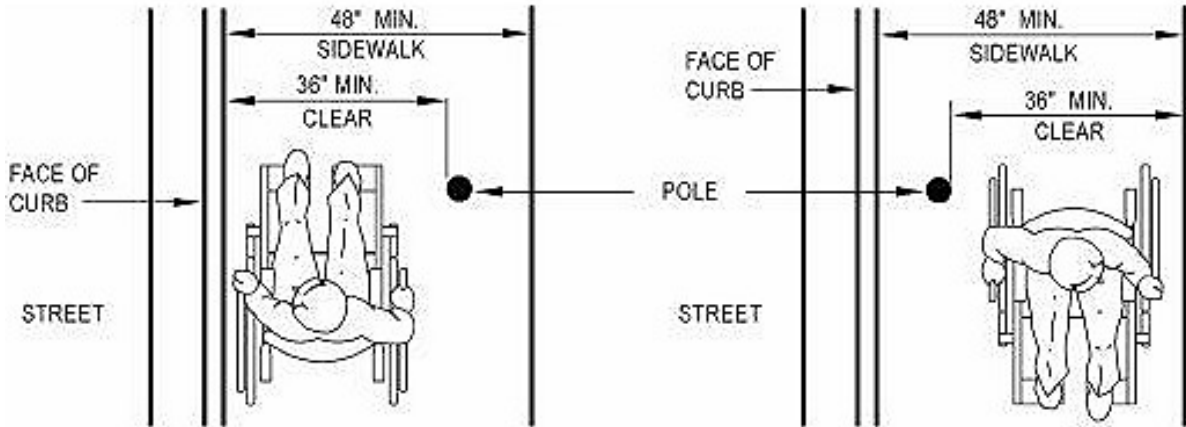
24" MIN. EXTERIOR AND 18" MIN. INTERIOR BEYOND THE STRIKE EDGE OF A GATE OR DOOR ON THE SIDE TOWARD WHICH IT SWINGS



**RAMP LANDING AND DOORWAY**

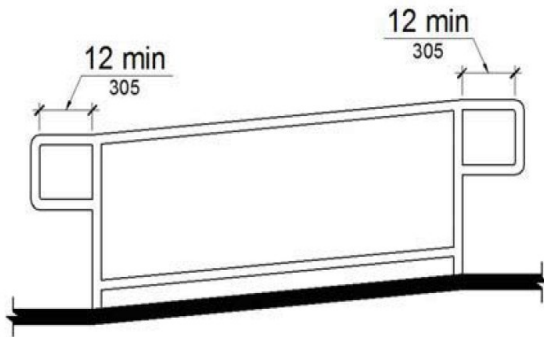
THESE DIAGRAMS ILLUSTRATE THE SPECIFIC REQUIREMENTS OF THESE REGULATIONS AND ARE INTENDED ONLY AS AN AID FOR BUILDING DESIGN AND CONSTRUCTION.

**RAMPS**

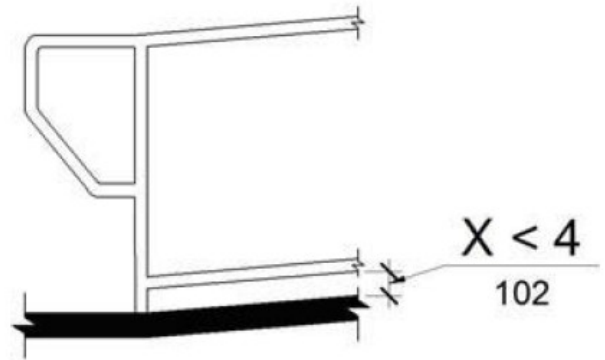


**SIDEWALK OBSTRUCTIONS**

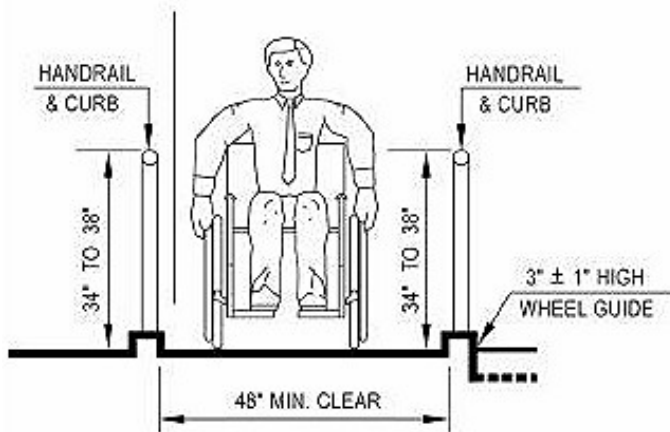
**11B-505.10.1 TOP AND BOTTOM EXTENSION AT RAMPS.**  
 Ramp handrails shall extend horizontally above the landing for 12 inches beyond the top and bottom of ramp runs. Extensions shall return to a wall, guard, or landing surface, or shall be continuous to the handrail of an adjacent ramp run.



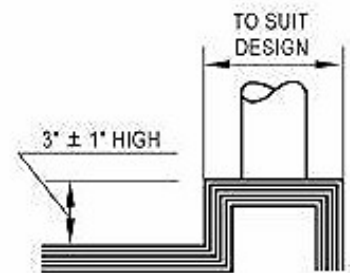
**FIGURE 11B-505.10.1**  
**TOP AND BOTTOM HANDRAIL EXTENSION AT RAMPS**



**FIGURE 11B-405.9.2**  
**CURB OR BARRIER EDGE PROTECTION**



**(c) WHEEL GUIDE**

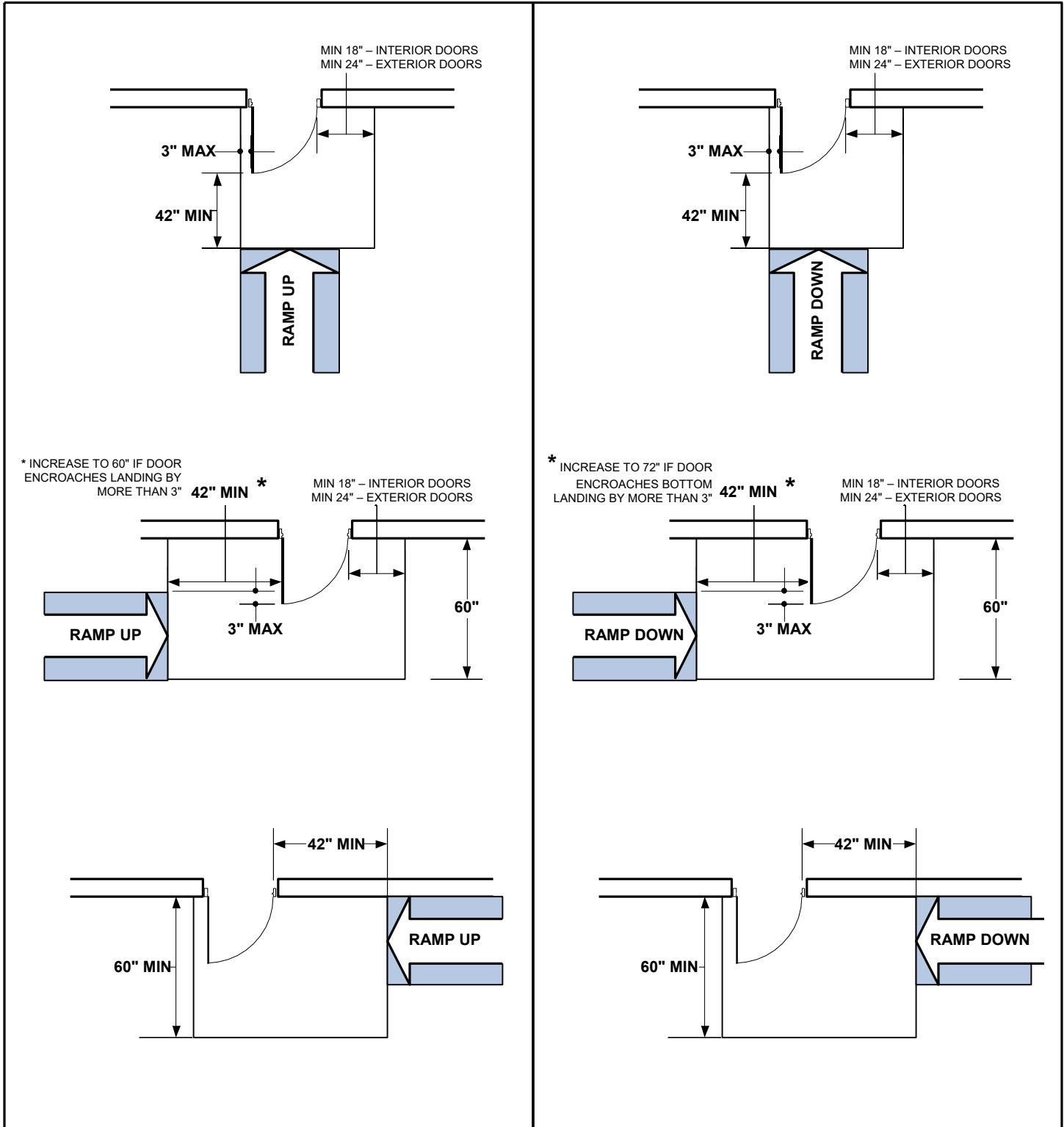


**WHEEL GUIDE DETAIL**

**RAMPS AND HANDRAILS**

THESE DIAGRAMS ILLUSTRATE THE SPECIFIC REQUIREMENTS OF THESE REGULATIONS AND ARE INTENDED ONLY AS AN AID FOR BUILDING DESIGN AND CONSTRUCTION.

## DOORWAYS AT RAMP LANDINGS

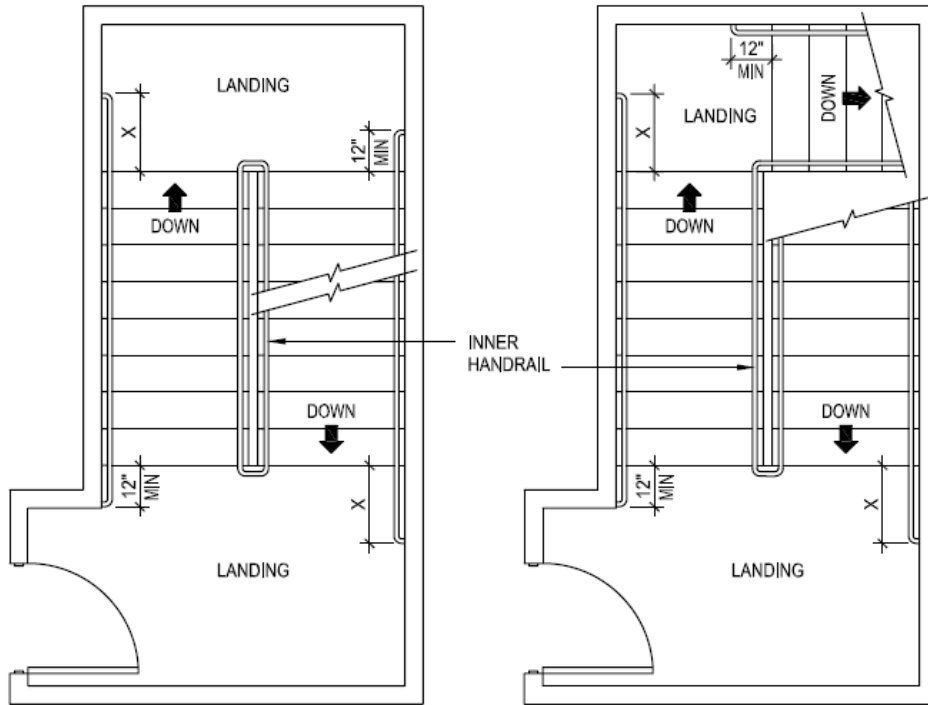


**DOORWAYS AT TOP LANDING  
SPACE OF A RAMP**

**DOORWAYS AT BOTTOM  
LANDING SPACE OF A  
RAMP**

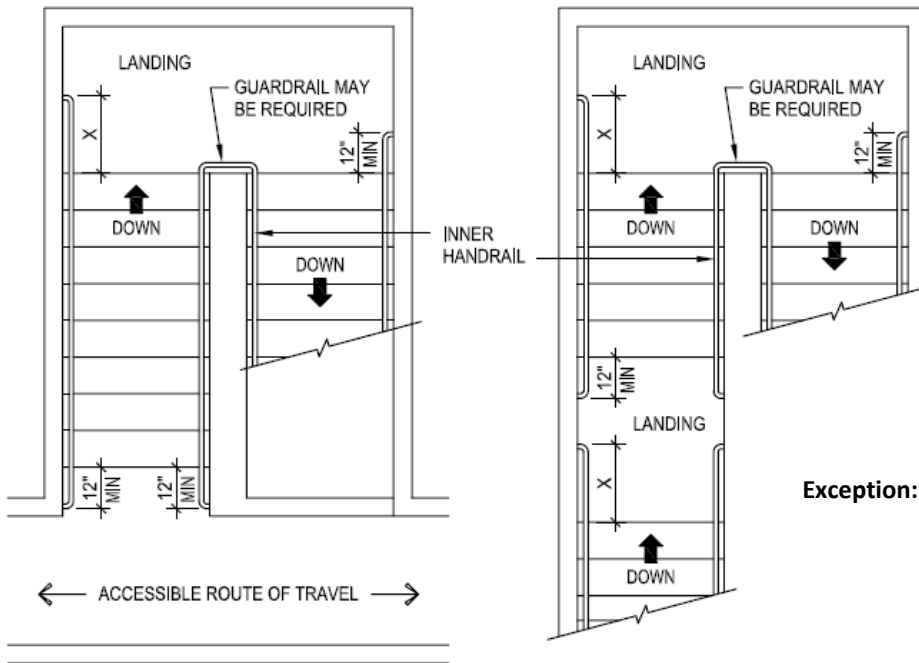
THESE DIAGRAMS ILLUSTRATE THE SPECIFIC REQUIREMENTS OF THESE REGULATIONS AND ARE INTENDED ONLY AS AN AID FOR BUILDING DESIGN AND CONSTRUCTION.

**STAIRWAYS**



NOTE: INNER HANDRAIL AT LANDINGS OF STAIRS THAT DOUBLE BACK OR IMMEDIATELY TURN SHALL BE CONTINUOUS AND SHALL NOT EXTEND INTO LANDING OR ACCESSIBLE ROUTE OF TRAVEL

X = EXTENSION OF HANDRAIL SHALL BE EQUAL TO THE TREAD WIDTH PLUS 12 INCHES MINIMUM



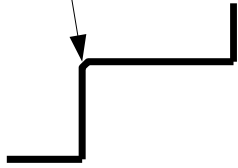
**Exception:** Curved stairways with winder treads are permitted at stairs which are not part of a required means of egress.

**11B-504 STAIRWAYS**

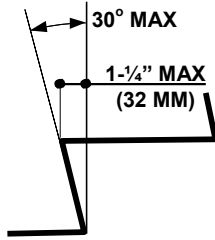
THESE DIAGRAMS ILLUSTRATE THE SPECIFIC REQUIREMENTS OF THESE REGULATIONS AND ARE INTENDED ONLY AS AN AID FOR BUILDING DESIGN AND CONSTRUCTION.

**STAIRS**

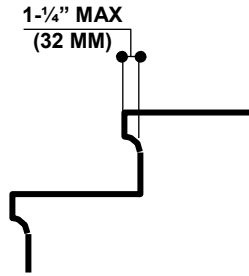
**RADIUS 1/2" MAX  
(12.7MM)**



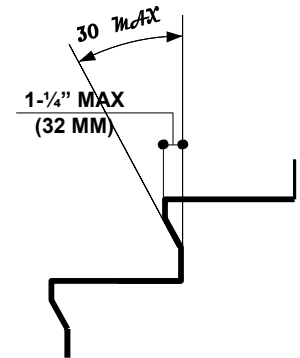
(a) RADIUS OF TREAD EDGE  
(TYPICAL FOR ALL PROFILES)



(b) ANGLED RISER

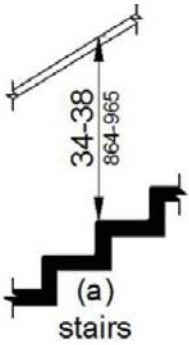


(c) CURVED NOSING

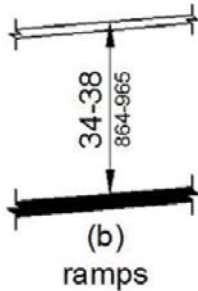


(d) BEVELED NOSING

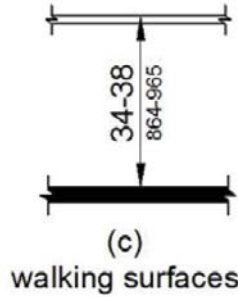
**FIGURE 11B-504.5  
STAIR NOSINGS**



(a)  
stairs

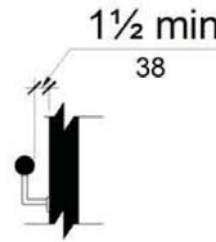


(b)  
ramps

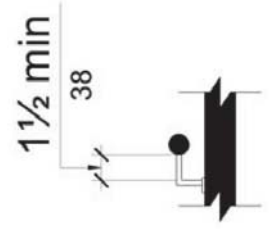


(c)  
walking surfaces

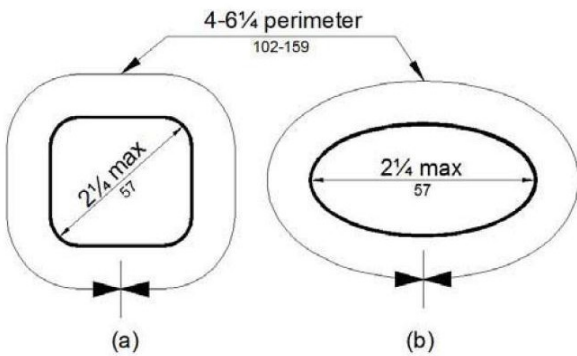
**FIGURE 11B-505.4  
HANDRAIL HEIGHT**



**FIGURE 11B-505.5  
HANDRAIL CLEARANCE**



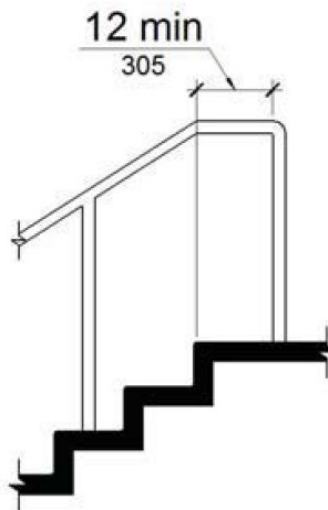
**FIGURE 11B-505.6  
HORIZONTAL PROJECTIONS  
BELOW GRIPPING SURFACE**



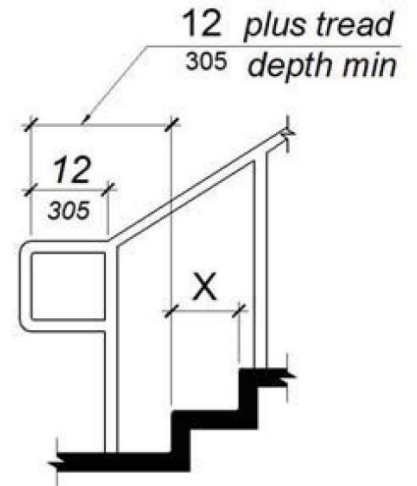
(a)

(b)

**FIGURE 11B-505.7.2  
HANDRAIL NON-CIRCULAR  
SECTION**



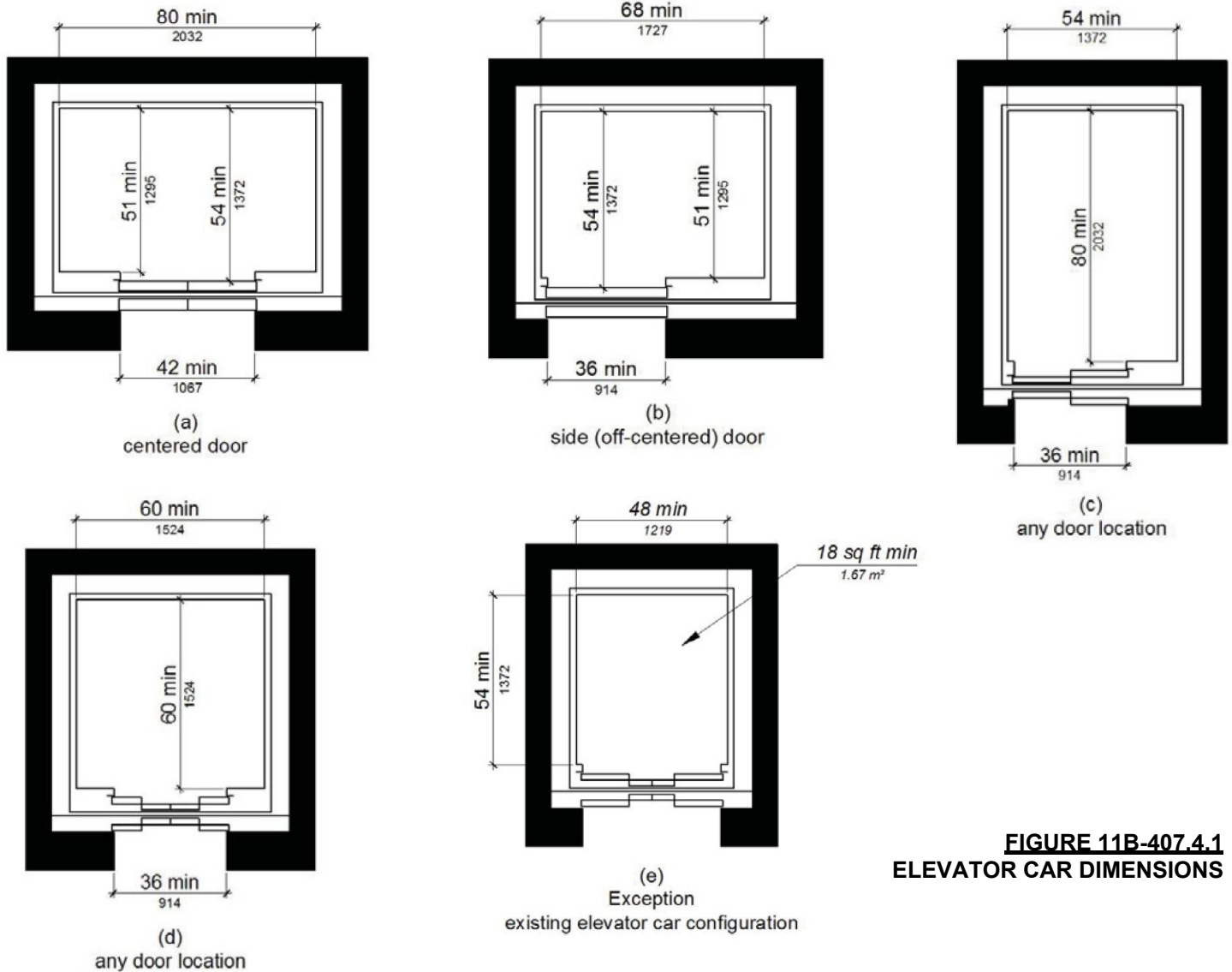
**FIGURE 11B-505.10.2  
TOP HANDRAIL EXTENSION  
AT STAIRS**



Note: X = tread depth

**FIGURE 11B-505.10.3  
BOTTOM HANDRAIL EXTENSION  
AT STAIRS**

**ELEVATORS**



**FIGURE 11B-407.4.1  
 ELEVATOR CAR DIMENSIONS**

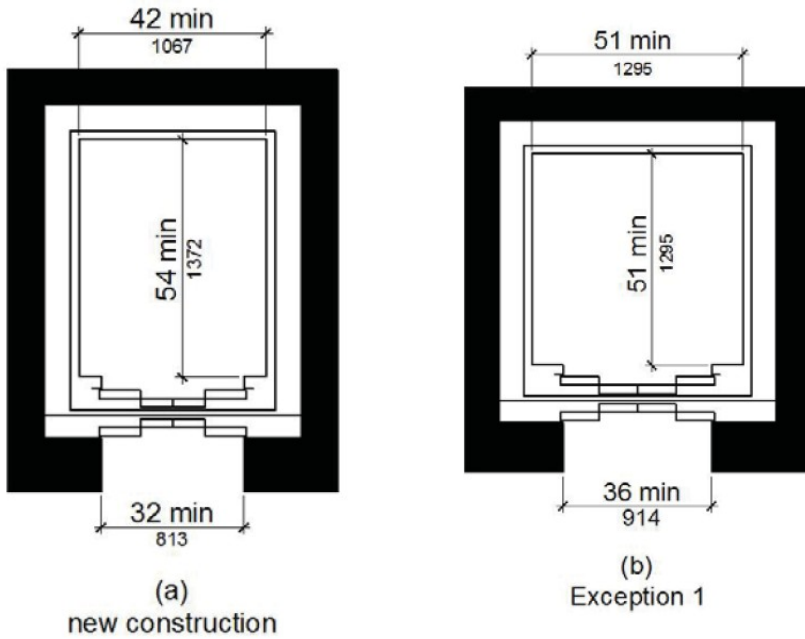
**TABLE 11B-407.4.1  
 ELEVATOR CAR DIMENSIONS**

| MINIMUM DIMENSIONS  |                  |                          |                                       |  |
|---------------------|------------------|--------------------------|---------------------------------------|--|
| DOOR LOCATION       | DOOR CLEAR WIDTH | INSIDE CAR, SIDE TO SIDE | INSIDE CAR, BACK WALL TO FRONT RETURN | INSIDE CAR, BACK WALL TO INSIDE FACE OF DOOR |
| Centered            | 42 inches        | 80 inches                | 51 inches                             | 54 inches                                    |
| Side (off-centered) | 36 inches        | 68 inches                | 51 inches                             | 54 inches                                    |
| Any                 | 36 inches        | 54 inches                | 80 inches                             | 80 inches                                    |
| Any                 | 36 inches        | 60 inches                | 60 inches                             | 60 inches                                    |

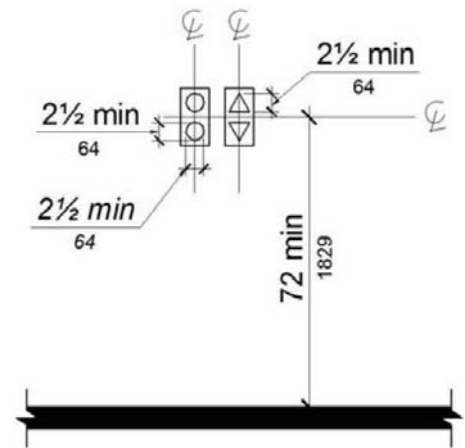
1. A tolerance of minus 5/8 inch (15.9 mm) is permitted.
2. Other car configurations that provide a turning space complying with Section 11B-304 with the door closed shall be permitted.



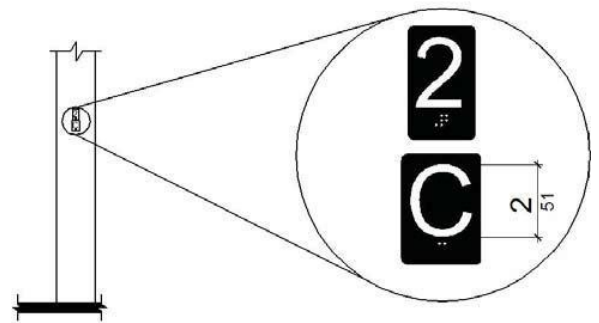
**ELEVATORS**



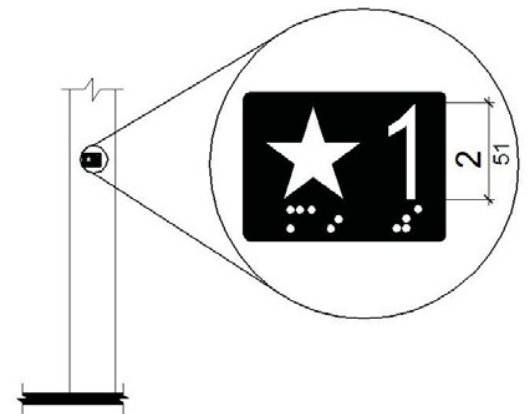
**FIGURE 11B-408.4.1  
 LIMITED-USE/LIMITED-APPLICATION (LULA)  
 ELEVATOR CAR DIMENSIONS**



**FIGURE 11B-407.2.2.2  
 VISIBLE HALL SIGNALS**



**FIGURE 11B-407.2.3.2  
 CAR DESIGNATIONS ON JAMBS OF  
 DESTINATION-ORIENTED ELEVATOR HOISTWAY  
 ENTRANCES**



**FIGURE 11B-407.2.3.1  
 FLOOR DESIGNATIONS ON JAMBS OF  
 ELEVATOR HOISTWAY ENTRANCE**

**Door and signal timing.** The minimum acceptable time from notification that a car is answering a call or notification of the car assigned at the means for the entry of destination information until the doors of that car start to close shall be calculated from the following equation:

$T = D(1.5 \text{ ft/s})$  or  $T = D(455 \text{ mm/s}) = 5$  seconds minimum where  $T$  equals the total time in seconds and  $D$  equals the distance (in feet or millimeters) from the point in the lobby or corridor 60 inches (1524 mm) directly in front of the farthest call button controlling that car to the centerline of its hoistway door. (11B-407.3.4)

**Exceptions:**

1. For cars with in-car lanterns,  $T$  shall be permitted to begin when the signal is visible from the point 60 inches (1524 mm) directly in front of the farthest hall call button and the audible signal is sounded.
2. Destination-oriented elevators shall not be required to comply with Section 11B-407.3.4.

**Door delay.** Elevator doors shall remain fully open in response to a car call for 5 seconds minimum. (11B-407.3.5)