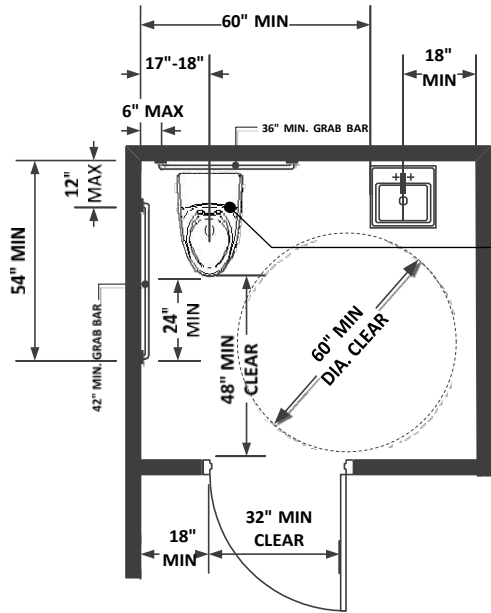
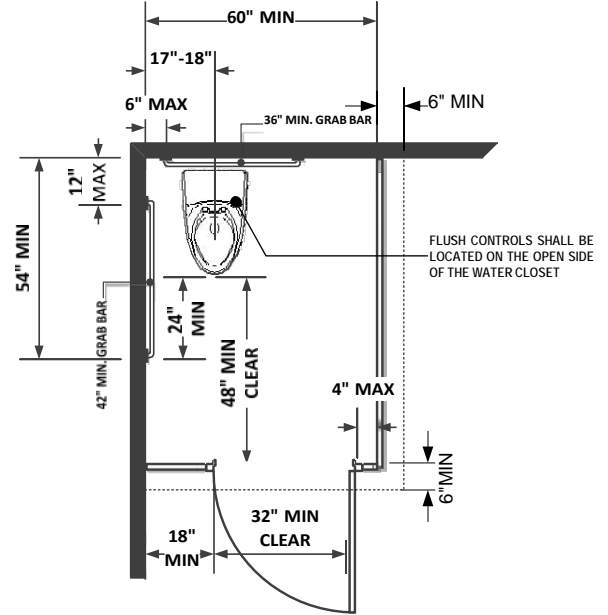


## ACCESSIBILITY DETAILS FOR RESTROOMS AND DRINKING FOUNTAINS



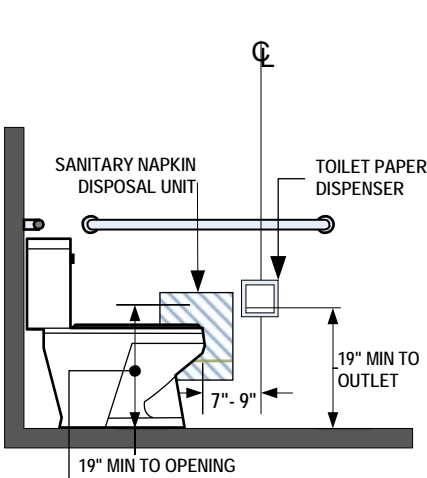
**SINGLE-ACCOMMODATION TOILET FACILITY**



**ACCESSIBLE WATER CLOSET COMPARTMENT WITHIN  
MULTIPLE-ACCOMMODATION TOILET FACILITY**

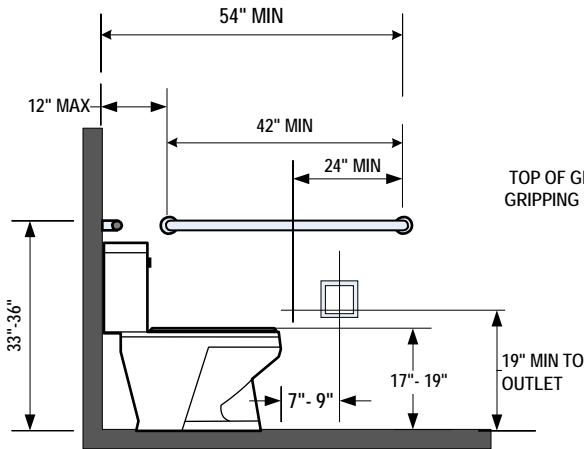
Doors shall not swing into the clear floor space or clearance required for any fixture. Other than the door to the accessible water closet compartment, a door in any position, may encroach into the turning space by 12 inches (305 mm) maximum. (11B-603.2.3)

Exceptions: (2) Where the toilet room or bathing room is for individual use and a clear floor space complying with Section 11B-305.3 is provided within the room beyond the arc of the door swing, doors shall be permitted to swing into the clear floor space or clearance required for any fixture.

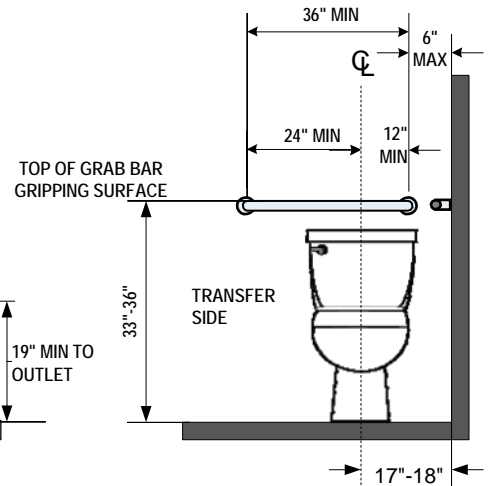


**FIGURE 11B-604.7.1  
DISPENSER OUTLET LOCATION**

**FIGURE 11B-604.7.2  
DISPOSAL UNIT LOCATION**



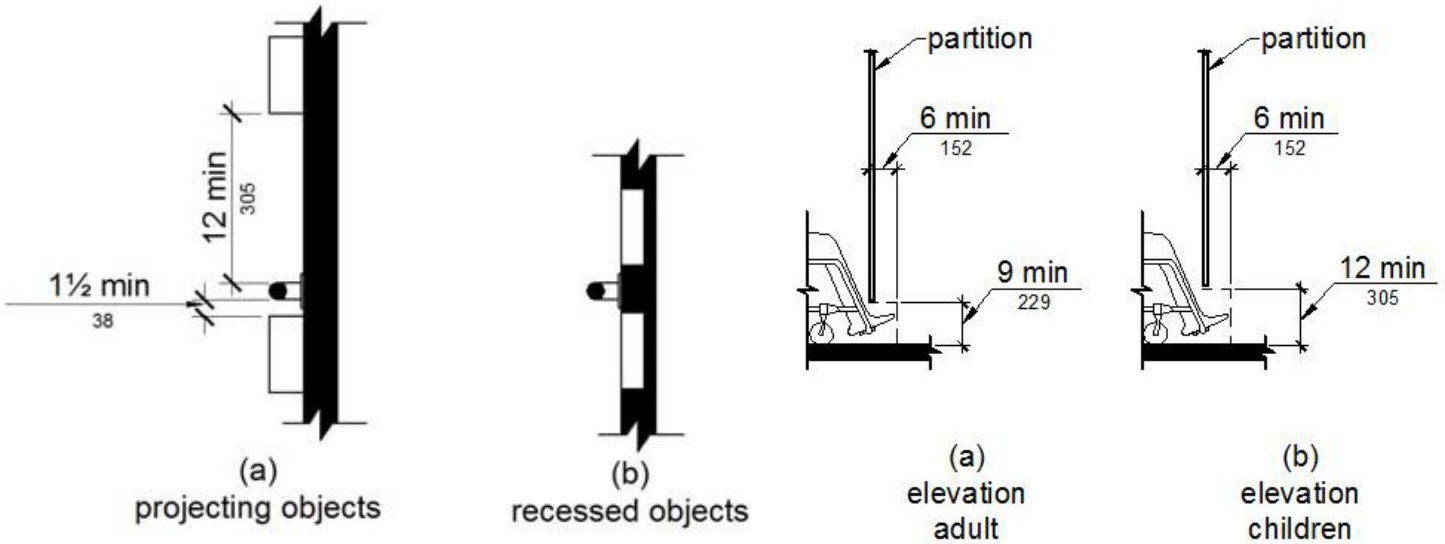
**FIGURE 11B-604.5.1  
SIDE WALL GRAB BAR AT WATER CLOSETS**



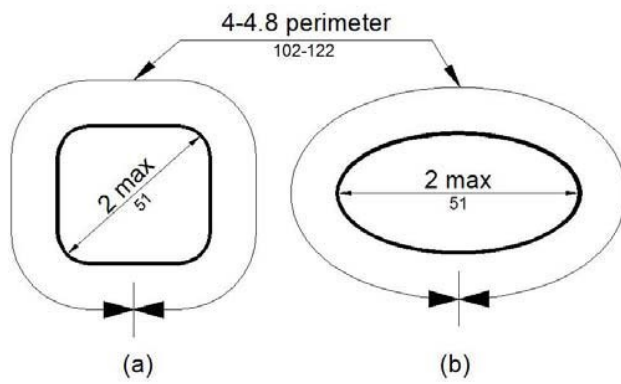
**FIGURE 11B-604.5.2  
REAR WALL GRAB BAR AT WATER CLOSETS**

THESE DIAGRAMS ILLUSTRATE THE SPECIFIC REQUIREMENTS OF THESE REGULATIONS AND ARE INTENDED ONLY AS AN AID FOR BUILDING DESIGN AND CONSTRUCTION.

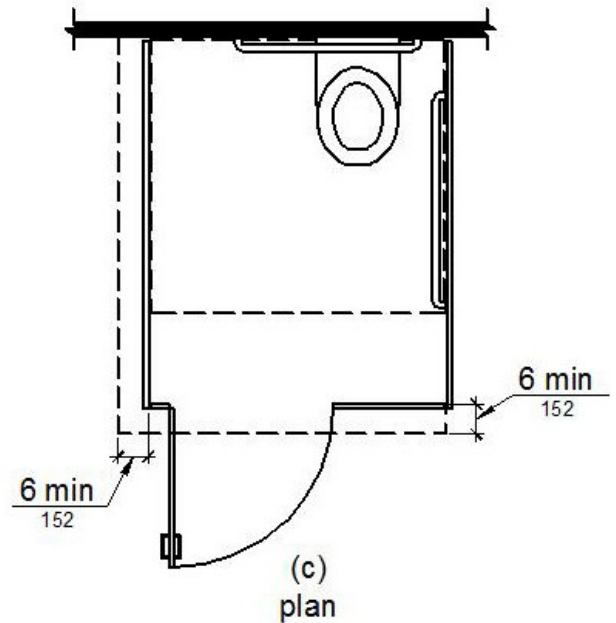
THESE DIAGRAMS ILLUSTRATE THE SPECIFIC REQUIREMENTS OF THESE REGULATIONS AND ARE INTENDED ONLY AS AN AID FOR BUILDING DESIGN AND CONSTRUCTION.



**FIGURE 11B-609.3**  
**SPACING OF GRAB BARS**



**FIGURE 11B-609.2.2**  
**GRAB BAR NON-CIRCULAR CROSS SECTION**



**FIGURE 11B-604.8.1.4**  
**WHEELCHAIR ACCESSIBLE TOILET COMPARTMENT TOE CLEARANCE**

THESE DIAGRAMS ILLUSTRATE THE SPECIFIC REQUIREMENTS OF THESE REGULATIONS AND ARE INTENDED ONLY AS AN AID FOR BUILDING DESIGN AND CONSTRUCTION.

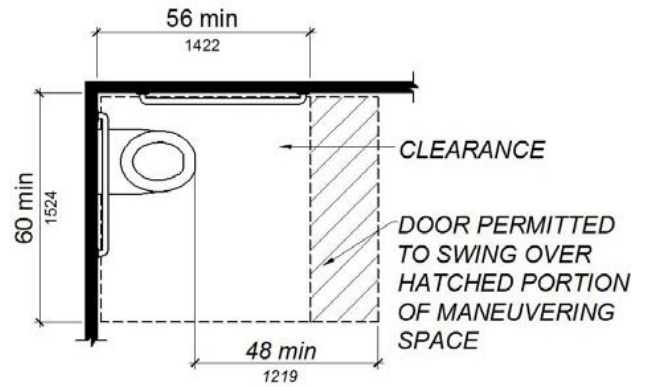
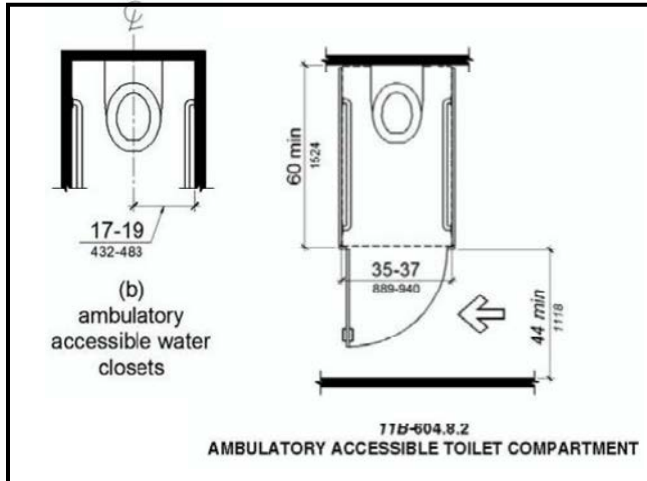


FIGURE 11B-604.3.1 - SIZE OF CLEARANCE AT WATER CLOSETS

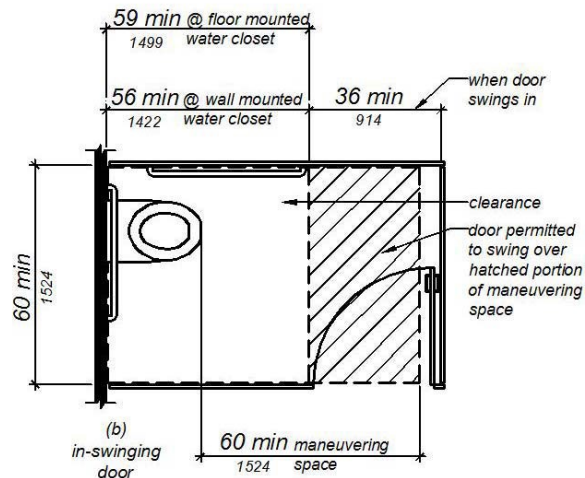
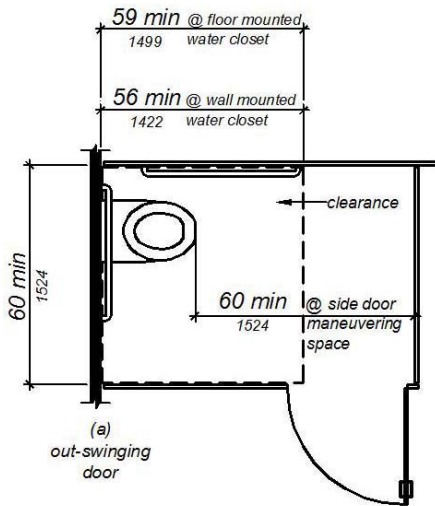


FIGURE 11B-604.8.1.1.2 - MANEUVERING SPACE WITH SIDE-OPENING DOOR

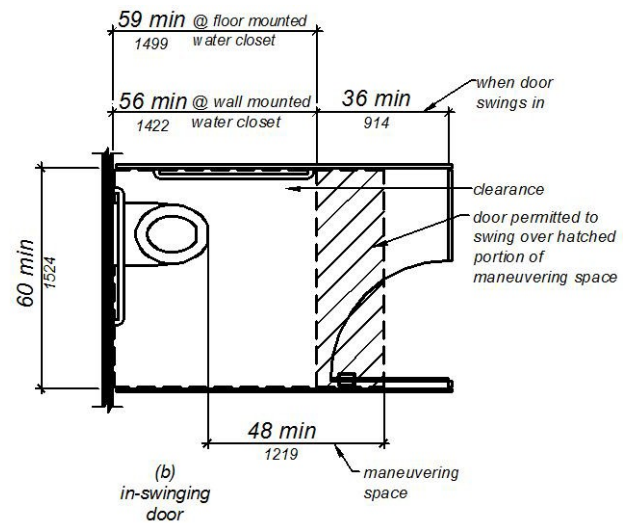
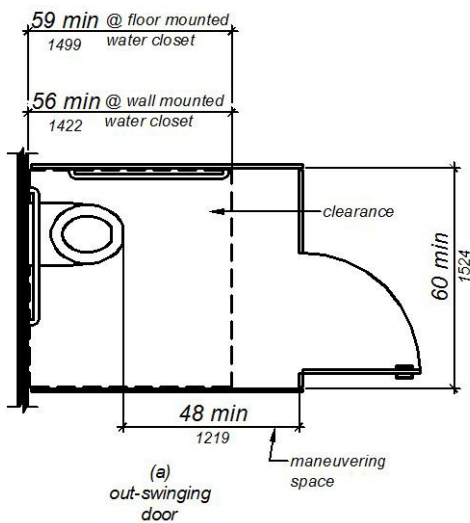
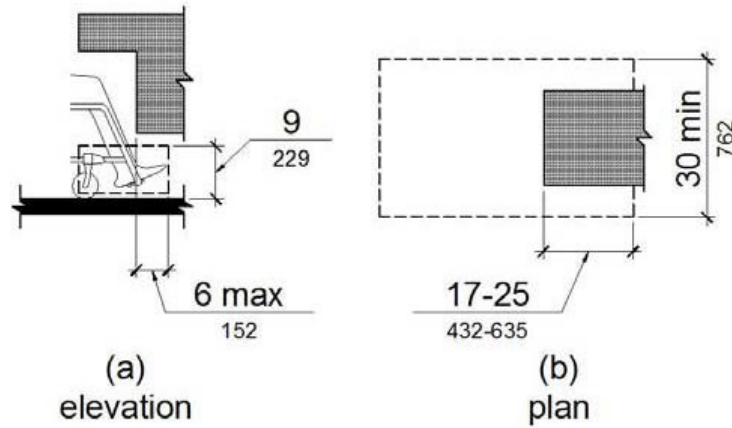
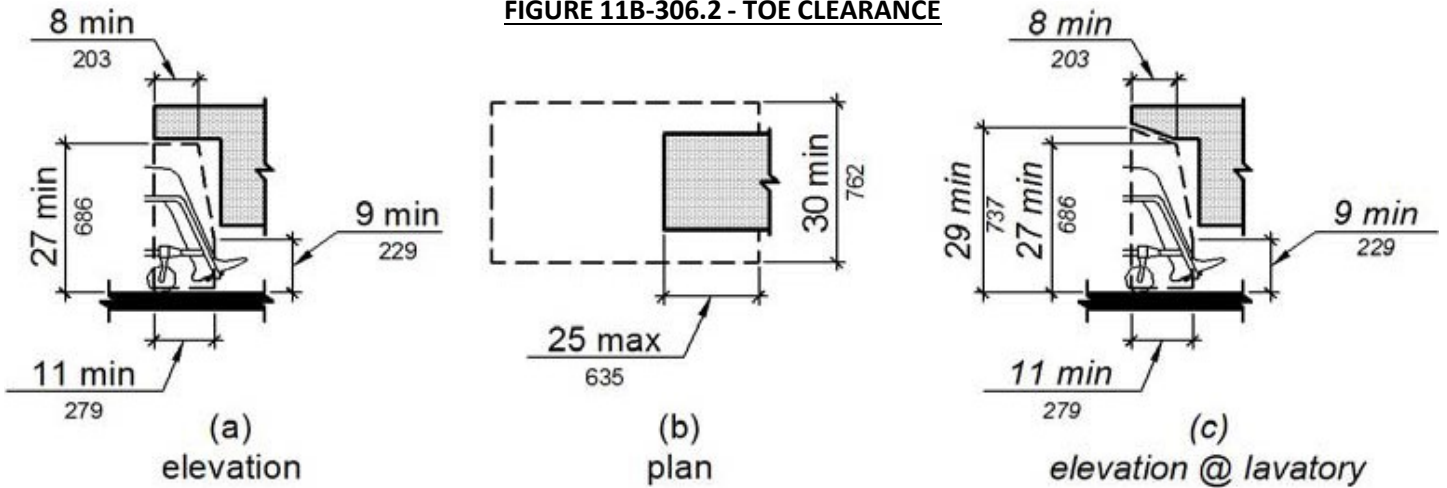


FIGURE 11B-604.8.1.1.3 - MANEUVERING SPACE WITH END-OPENING DOOR

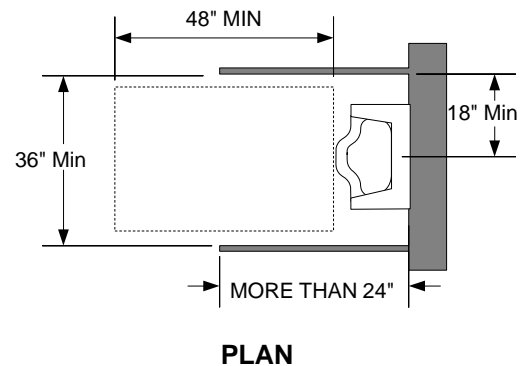
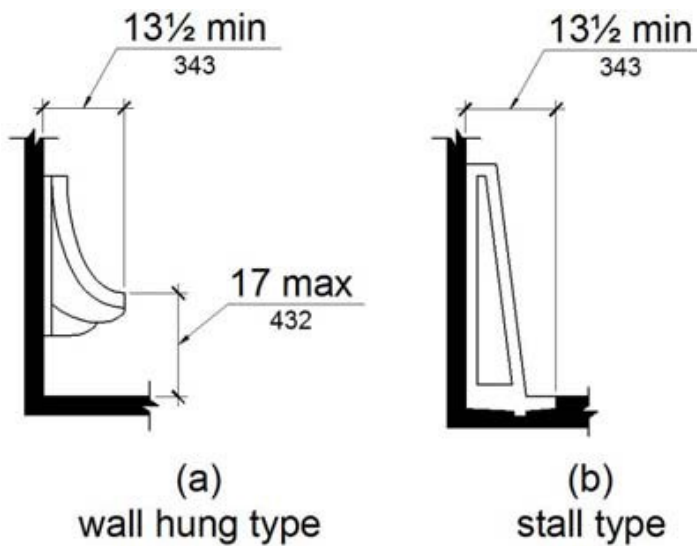
**SINK / URINAL**



**FIGURE 11B-306.2 - TOE CLEARANCE**

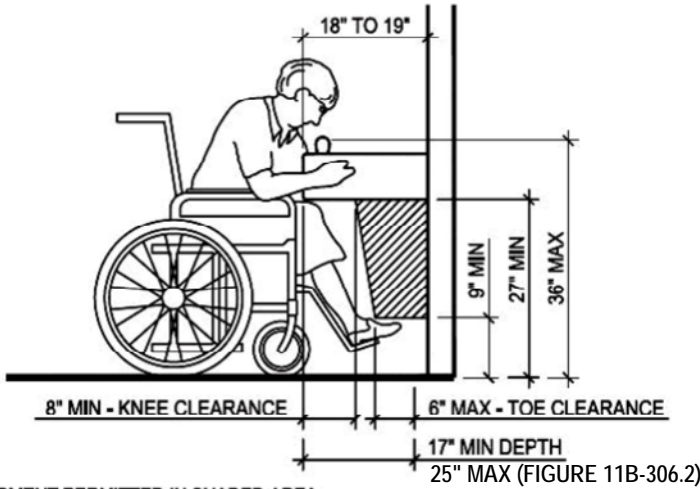


**FIGURE 11B-306.3 - KNEE CLEARANCE**



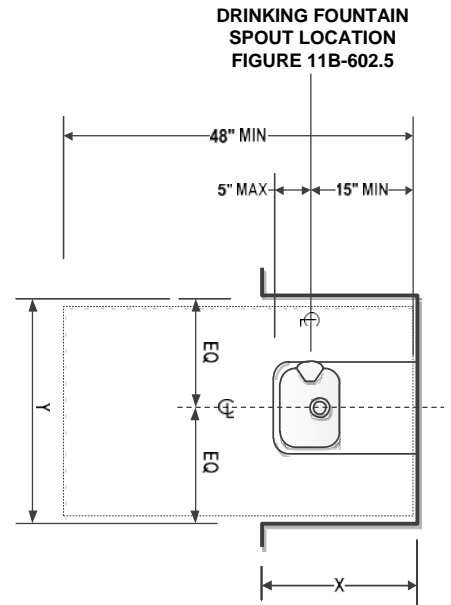
**FIGURE 11B-605.2 - HEIGHT AND DEPTH OF URINALS**

THESE DIAGRAMS ILLUSTRATE THE SPECIFIC REQUIREMENTS OF THESE REGULATIONS AND ARE INTENDED ONLY AS AN AID FOR BUILDING DESIGN AND CONSTRUCTION.

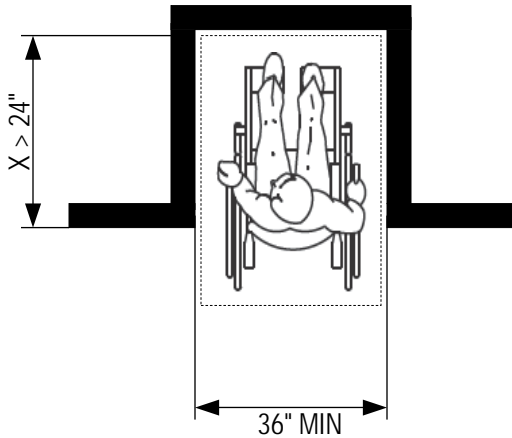


\* EQUIPMENT PERMITTED IN SHADED AREA

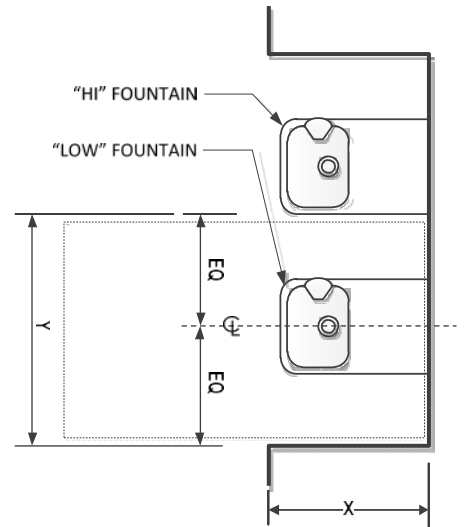
**SPOUT HEIGHT AND KNEE CLEARANCE AT DRINKING FOUNTAINS**



**PLAN OF "HI-LOW" DRINKING FOUNTAIN**



**FIGURE 11B-305.7.1  
 MANEUVERING CLEARANCE IN AN  
 ALCOVE, FORWARD APPROACH**



**NOTE:**  
 IF X = 18" MIN. ALCOVE DEPTH, THEN Y = 32" MIN.  
 IF ALCOVE DEPTH (X) IS GREATER THAN 24", THEN  
 ALCOVE WIDTH (Y) MUST BE MINIMUM OF 36" CLEAR.

**CLEAR FLOOR SPACE  
 AT "HI-LOW" DRINKING FOUNTAIN ALCOVES**