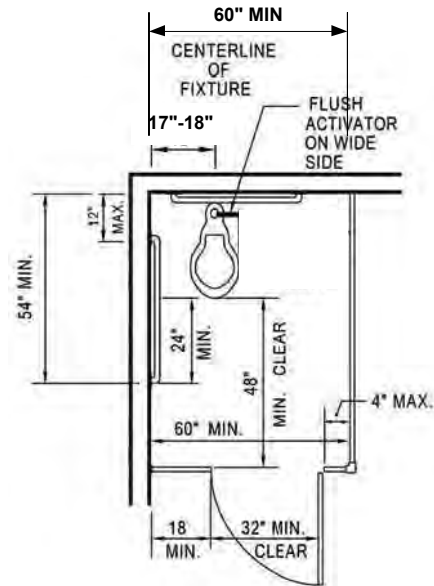


## ACCESSIBILITY DETAILS FOR RESTROOMS AND DRINKING FOUNTAINS

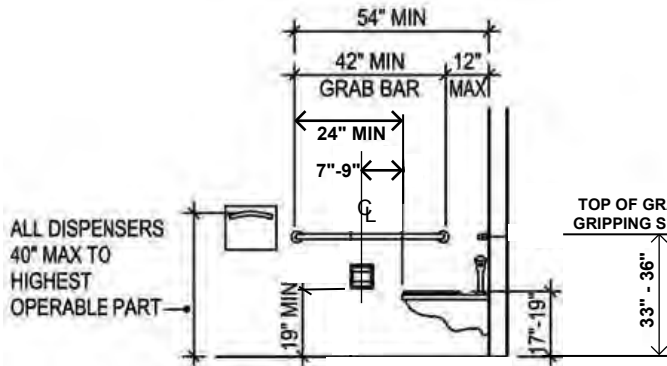


**SINGLE-ACCOMMODATION TOILET FACILITY**

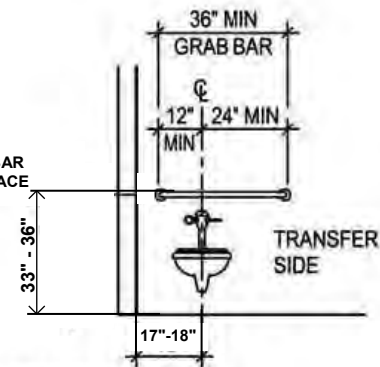


**ACCESSIBLE WATER CLOSET COMPARTMENT WITHIN A MULTIPLE-ACCOMMODATION TOILET FACILITY**

Doors shall not swing into the clear floor space or clearance required for any fixture. Other than the door to the accessible water closet compartment, a door in any position, may encroach into the turning space by 12 inches maximum. (11B-603.2.3)  
 Exceptions: (2) Where the toilet room or bathing room is for individual use and a clear floor space complying with Section 11B-305.3 is provided within the room beyond the arc of the door swing, doors shall be permitted to swing into the clear floor space or clearance required for any fixture.



**FIGURE 11B-604.7  
 DISPENSER OUTLET LOCATION**



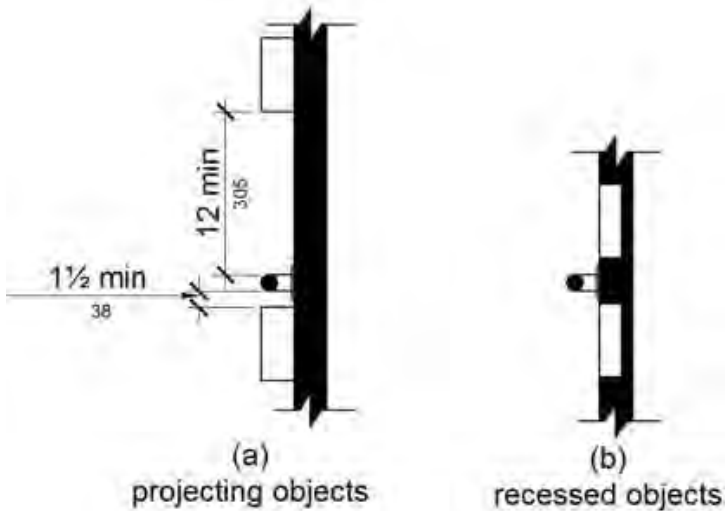
**FIGURE 11B-604.5.2  
 REAR WALL GRAB BAR AT WATER CLOSETS**

**FIGURE 11B-604.5.1  
 SIDE WALL GRAB BAR AT WATER CLOSETS**

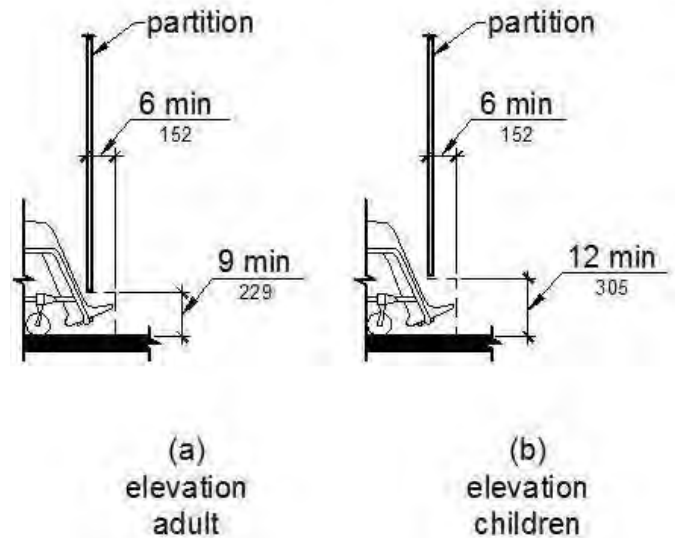
THESE DIAGRAMS ILLUSTRATE THE SPECIFIC REQUIREMENTS OF THESE REGULATIONS AND ARE INTENDED ONLY AS AN AID FOR BUILDING DESIGN AND CONSTRUCTION.

As a covered entity under Title II of the Americans with Disabilities Act, the City of Los Angeles does not discriminate on the basis of disability and, upon request, will provide reasonable accommodation to ensure equal access to its programs, services and activities.

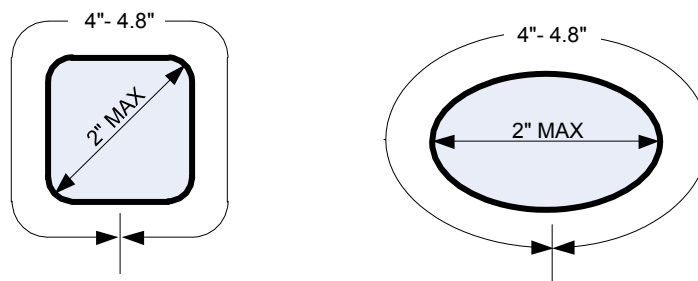
THESE DIAGRAMS ILLUSTRATE THE SPECIFIC REQUIREMENTS OF THESE REGULATIONS AND ARE INTENDED ONLY AS AN AID FOR BUILDING DESIGN AND CONSTRUCTION.



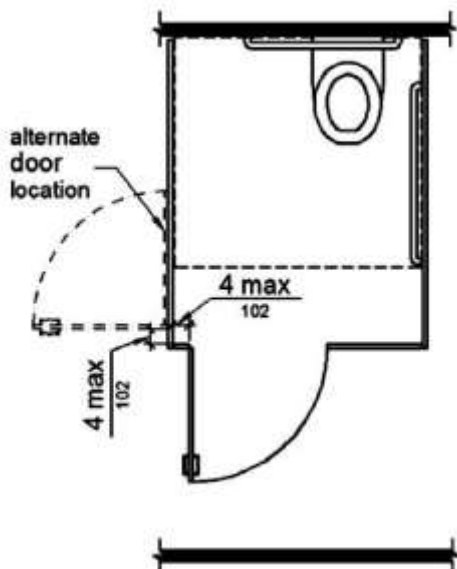
**FIGURE 11B-609.3**  
**SPACING OF GRAB BARS**



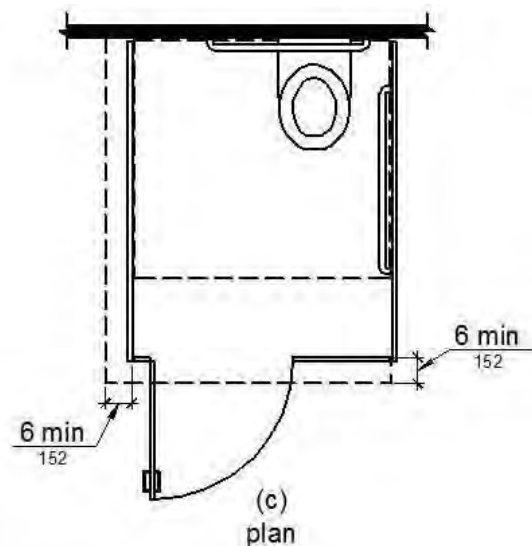
**FIGURE 11B-604.8.1.4**  
**WHEELCHAIR ACCESSIBLE TOILET COMPARTMENT TOE CLEARANCE**



**FIGURE 11B-609.2.2**  
**GRAB BAR NON-CIRCULAR CROSS SECTION**

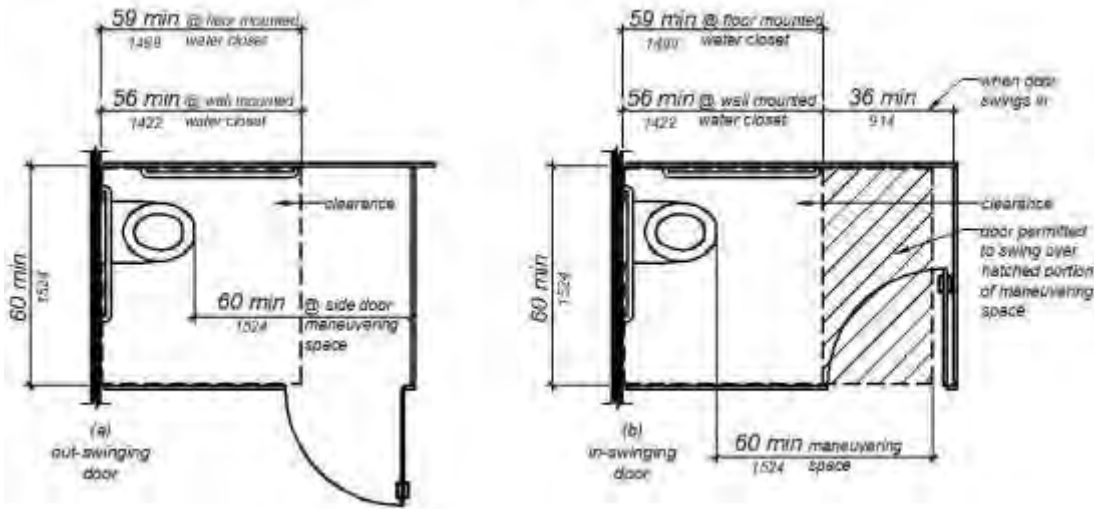
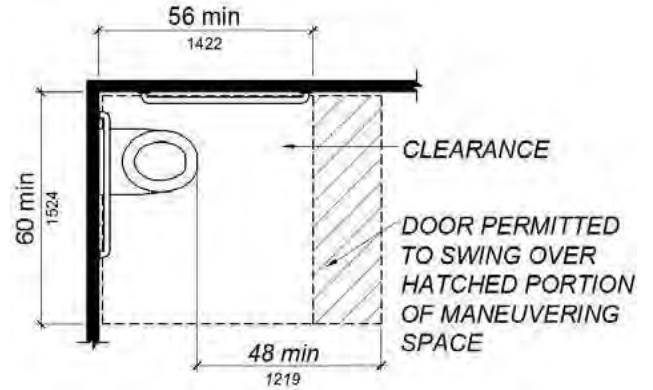
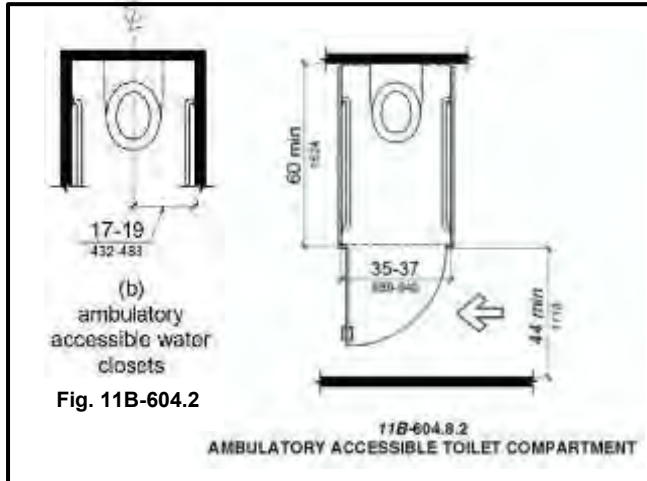


**FIGURE 11B-604.8.1.2**  
**WHEELCHAIR ACCESSIBLE TOILET COMPARTMENT DOORS**

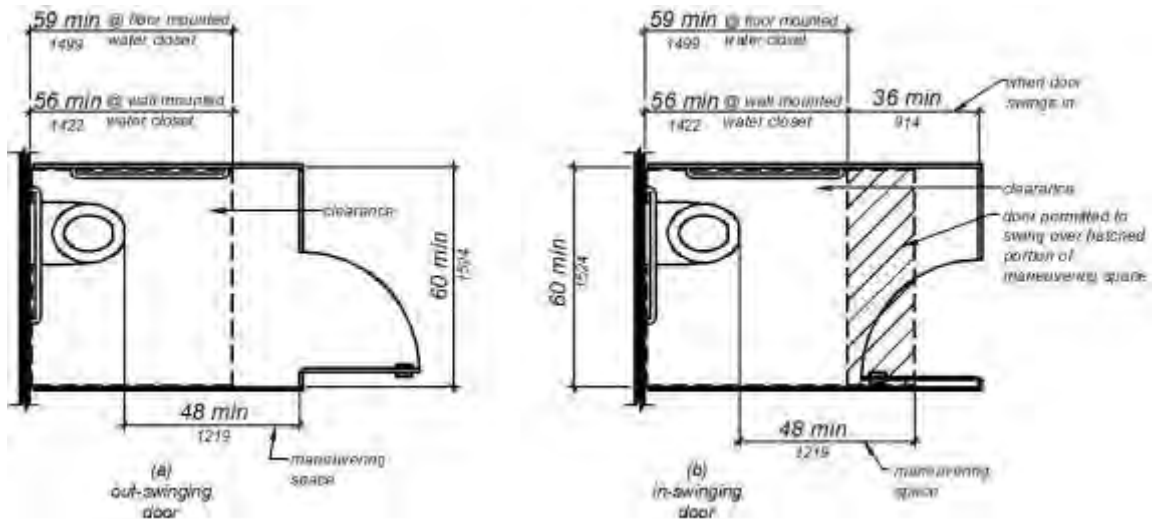


**FIGURE 11B-604.8.1.4**  
**WHEELCHAIR ACCESSIBLE TOILET COMPARTMENT TOE CLEARANCE**

THESE DIAGRAMS ILLUSTRATE THE SPECIFIC REQUIREMENTS OF THESE REGULATIONS AND ARE INTENDED ONLY AS AN AID FOR BUILDING DESIGN AND CONSTRUCTION.



**FIGURE 11B-604.8.1.1.2 - MANEUVERING SPACE WITH SIDE-OPENING DOOR**

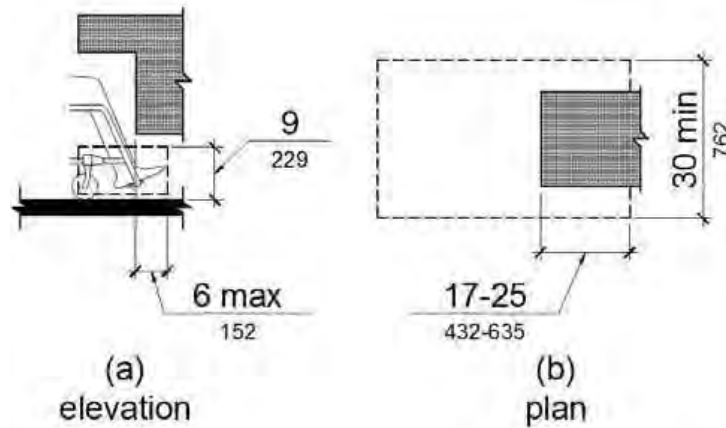


**FIGURE 11B-604.8.1.1.3 - MANEUVERING SPACE WITH END-OPENING DOOR**

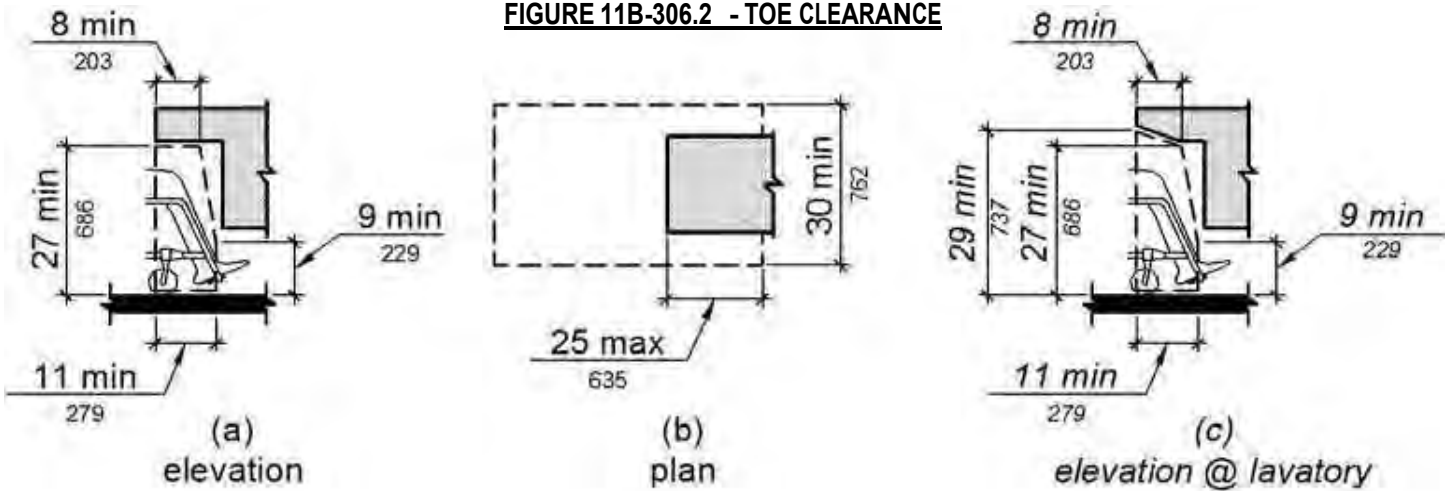
As a covered entity under Title II of the Americans with Disabilities Act, the City of Los Angeles does not discriminate on the basis of disability and, upon request, will provide reasonable accommodation to ensure equal access to its programs, services and activities.

THESE DIAGRAMS ILLUSTRATE THE SPECIFIC REQUIREMENTS OF THESE REGULATIONS AND ARE INTENDED ONLY AS AN AID FOR BUILDING DESIGN AND CONSTRUCTION.

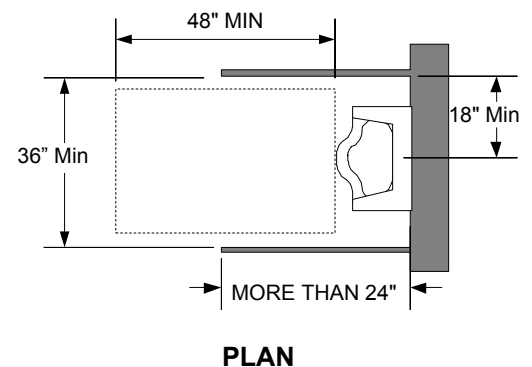
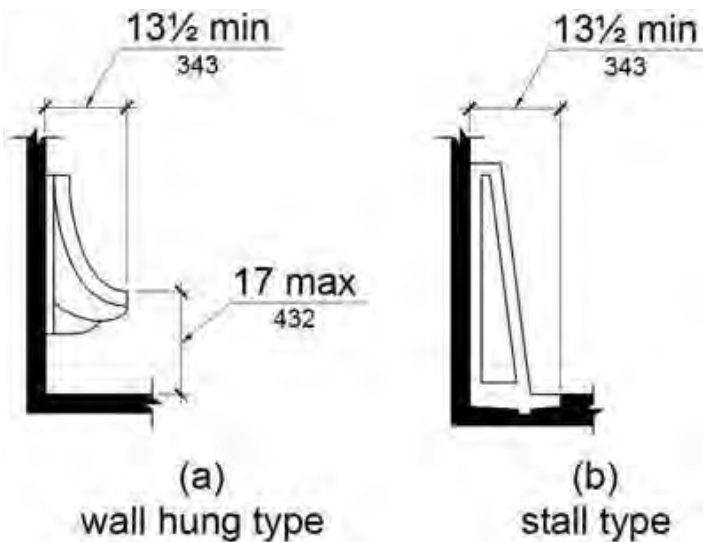
**SINK / URINAL**



**FIGURE 11B-306.2 - TOE CLEARANCE**



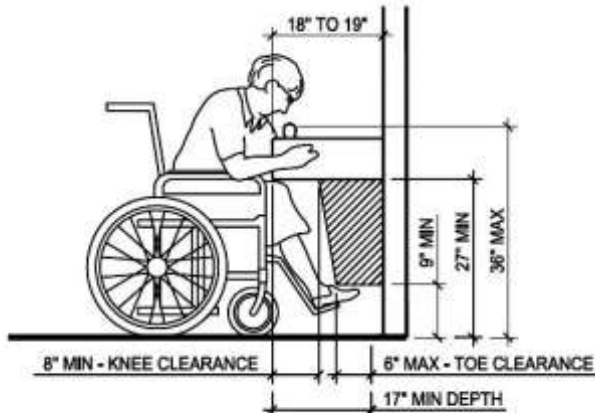
**FIGURE 11B-306.3 - KNEE CLEARANCE**



**FIGURE 11B-605.2 - HEIGHT AND DEPTH OF URINALS**



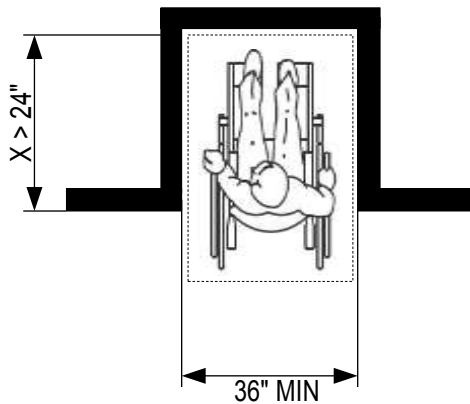
**DRINKING FOUNTAINS**



\* EQUIPMENT PERMITTED IN SHADED AREA

25" MAX (FIGURE 11B-306.2)

**SPOUT HEIGHT AND KNEE CLEARANCE AT DRINKING FOUNTAINS**



**FIGURE 11B-305.7.1  
 MANEUVERING CLEARANCE IN AN  
 ALCOVE, FORWARD APPROACH**

**11B-602.6 WATER FLOW.**

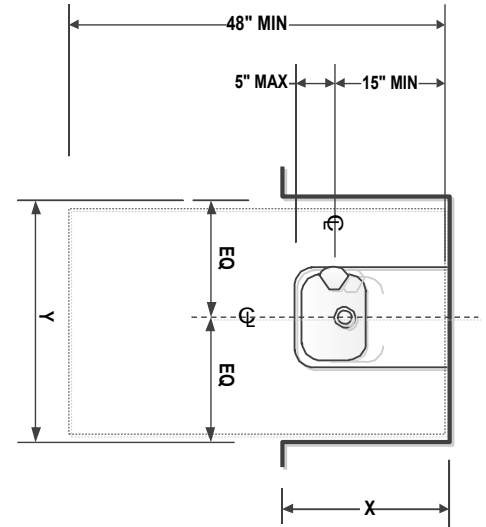
THE SPOUT SHALL PROVIDE A FLOW OF WATER 4 INCHES HIGH MINIMUM AND SHALL BE LOCATED 5 INCHES MAXIMUM FROM THE FRONT OF THE UNIT. THE ANGLE OF THE WATER STREAM SHALL BE MEASURED HORIZONTALLY RELATIVE TO THE FRONT FACE OF THE UNIT. WHERE SPOUTS ARE LOCATED LESS THAN 3 INCHES OF THE FRONT OF THE UNIT, THE ANGLE OF THE WATER STREAM SHALL BE 30 DEGREES MAXIMUM. WHERE SPOUTS ARE LOCATED BETWEEN 3 INCHES AND 5 INCHES MAXIMUM FROM THE FRONT OF THE UNIT, THE ANGLE OF THE WATER STREAM SHALL BE 15 DEGREES MAXIMUM.

**11B-602.7 DRINKING FOUNTAINS FOR STANDING PERSONS.**

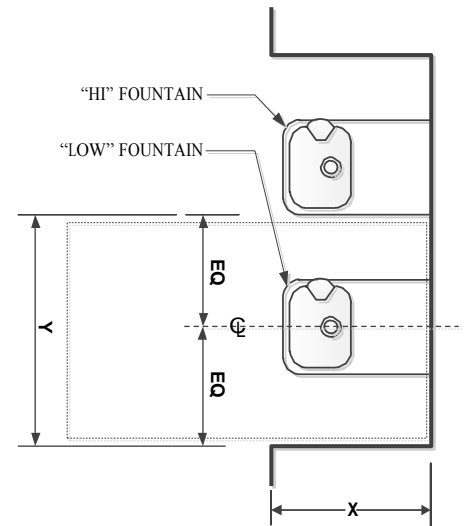
SPOUT OUTLETS OF DRINKING FOUNTAINS FOR STANDING PERSONS SHALL BE 38 INCHES MINIMUM AND 43 INCHES MAXIMUM ABOVE THE FINISH FLOOR OR GROUND.

**11B-602.9 PEDESTRIAN PROTECTION.**

ALL DRINKING FOUNTAINS SHALL EITHER BE LOCATED COMPLETELY WITHIN ALCOVES, POSITIONED COMPLETELY BETWEEN WING WALLS, OR OTHERWISE POSITIONED SO AS NOT TO ENCRANCH INTO PEDESTRIAN WAYS. THE PROTECTED AREA WITHIN WHICH A DRINKING FOUNTAIN IS LOCATED SHALL BE 32 INCHES WIDE MINIMUM AND 18 INCHES DEEP MINIMUM, AND SHALL COMPLY WITH SECTION 11B-305.7. WHEN USED, WING WALLS OR BARRIERS SHALL PROJECT HORIZONTALLY AT LEAST AS FAR AS THE DRINKING FOUNTAIN AND TO WITHIN 6 INCHES VERTICALLY FROM THE FLOOR OR GROUND SURFACE.



**DRINKING FOUNTAIN SPOUT LOCATION  
 FIGURE 11B-602.5**



**PLAN OF "HI-LOW" DRINKING FOUNTAIN**

**NOTE:**

IF X = 18" MIN. ALCOVE DEPTH, THEN Y = 32" MIN.  
 IF ALCOVE DEPTH (X) IS GREATER THAN 24", THEN ALCOVE WIDTH (Y) MUST BE MINIMUM OF 36" CLEAR.

**CLEAR FLOOR SPACE  
 AT "HI-LOW" DRINKING FOUNTAIN ALCOVES**