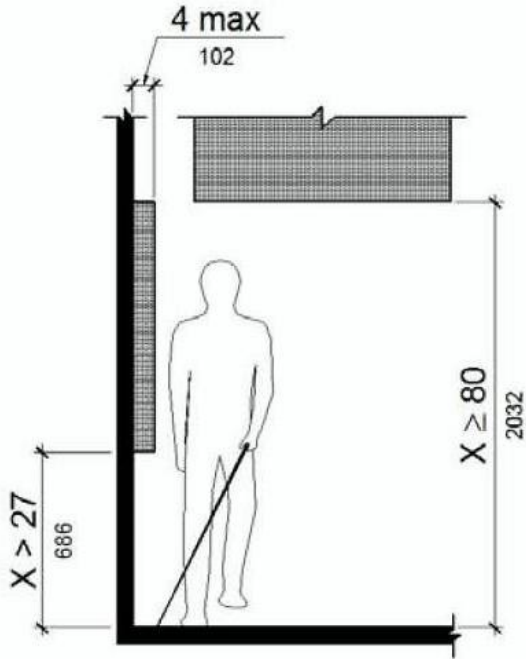
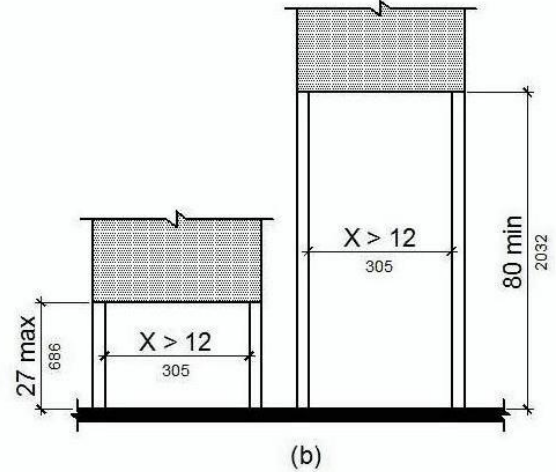
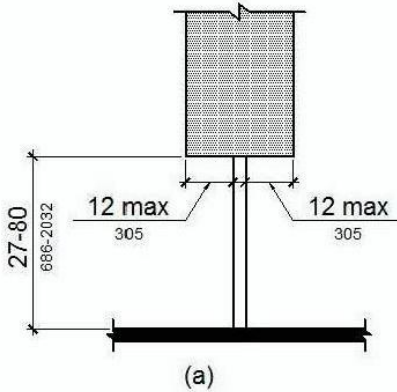


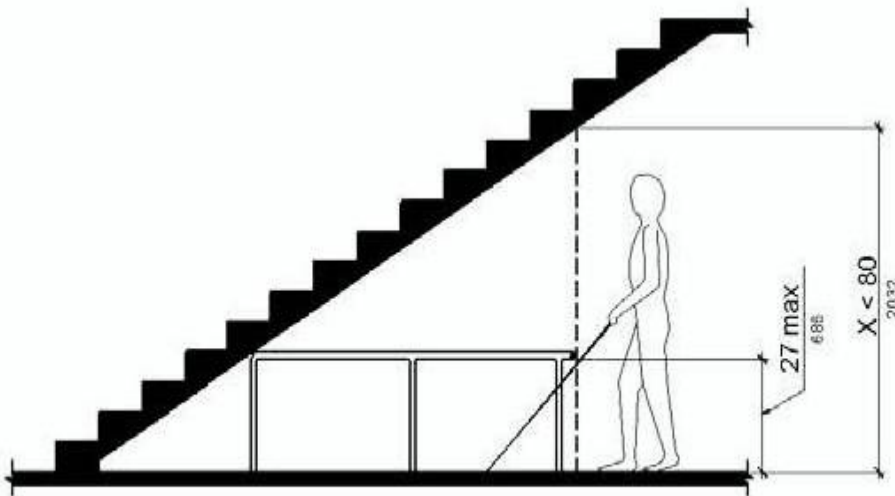
# ACCESSIBILITY DETAILS FOR OBSTRUCTIONS, REACH RANGES, TELEPHONES & BABY CHANGING STATIONS



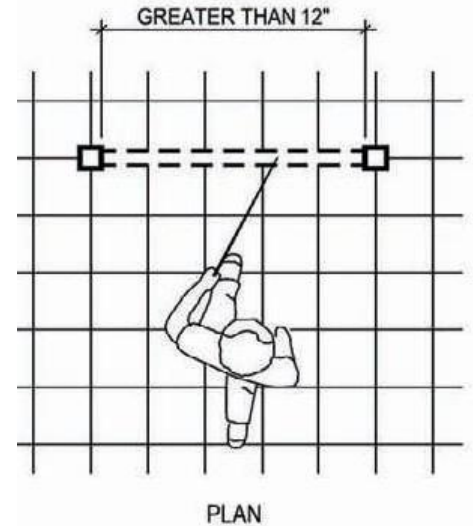
**FIGURE 11B-307.2**  
**LIMITS OF PROTRUDING OBJECTS**



**FIGURE 11B-307.3**  
**POST-MOUNTED PROTRUDING OBJECTS**

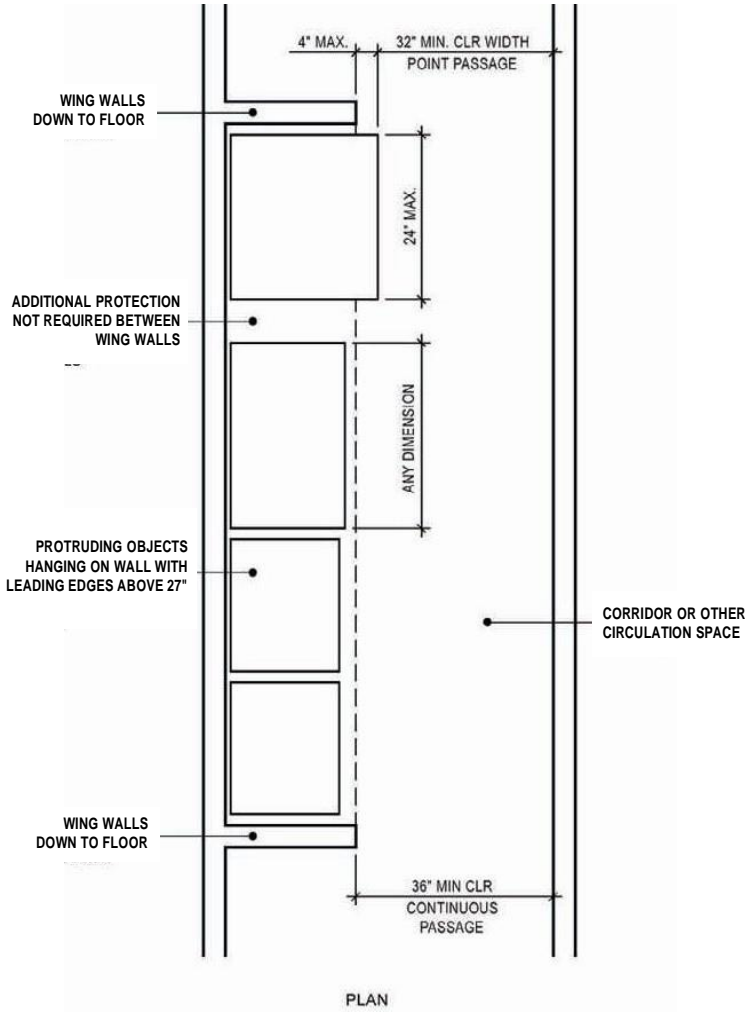


**FIGURE 11B-307.4**  
**VERTICAL CLEARANCE**

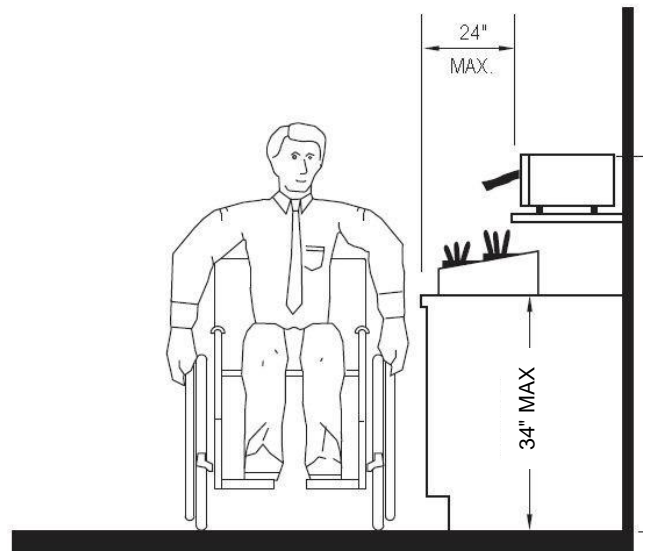
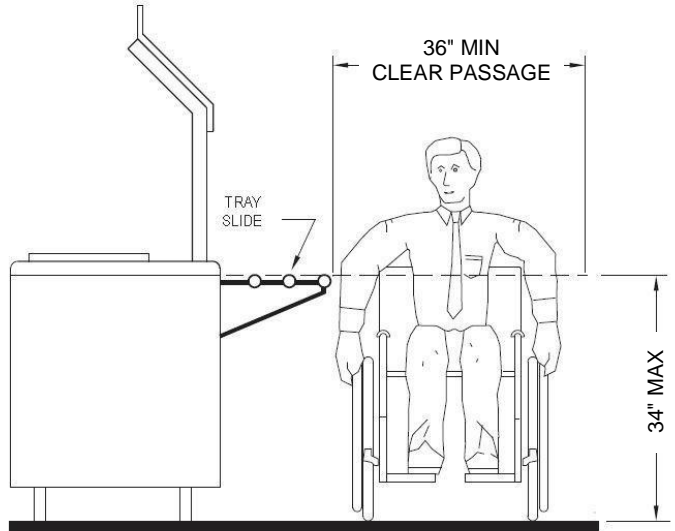


THESE DIAGRAMS ILLUSTRATE THE SPECIFIC REQUIREMENTS OF THESE REGULATIONS AND ARE INTENDED ONLY AS AN AID FOR BUILDING DESIGN AND CONSTRUCTION

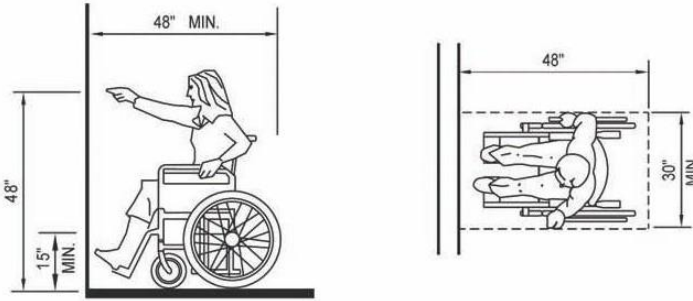
THESE DIAGRAMS ILLUSTRATE THE SPECIFIC REQUIREMENTS OF THESE REGULATIONS AND ARE INTENDED ONLY AS AN AID FOR BUILDING DESIGN AND CONSTRUCTION.



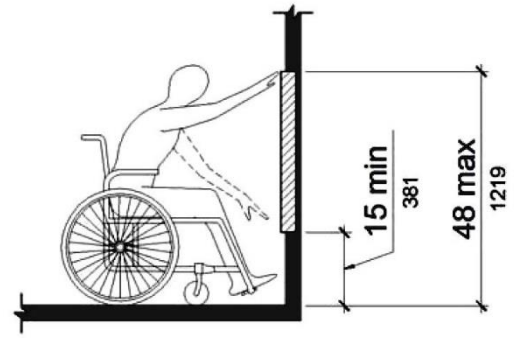
EXAMPLE OF PROTECTION AROUND WALL-MOUNTED OBJECTS AND MEASUREMENTS OF CLEAR WIDTHS



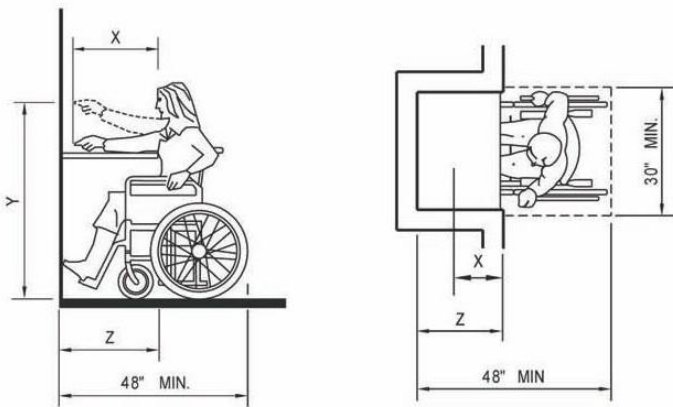
**REACH RANGE**



(a) HIGH FORWARD REACH LIMIT

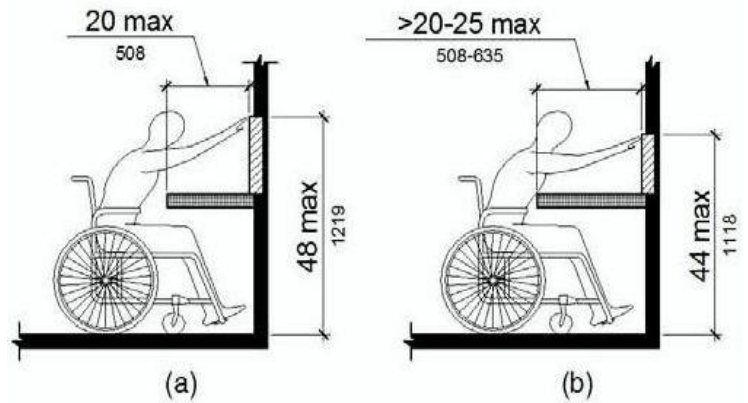


**FIGURE 11B-308.2.1  
UNOBSTRUCTED FORWARD REACH**

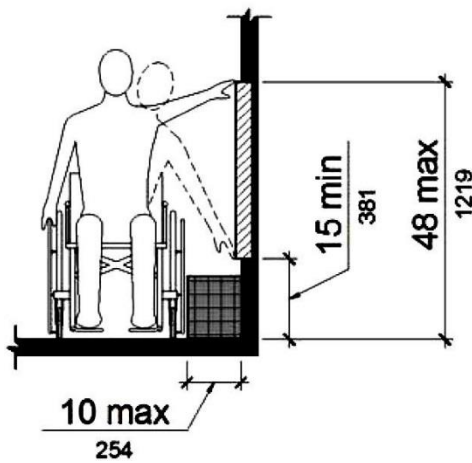


NOTE:  
 X SHALL BE LESS THAN OR EQUAL TO 25 INCHES. Z SHALL BE GREATER THAN OR EQUAL TO X. WHEN X IS LESS THAN 20 INCHES, THEN Y SHALL BE 48 INCHES MAXIMUM. WHEN X IS 20 TO 25 INCHES, THEN Y SHALL BE 44 INCHES MAXIMUM.

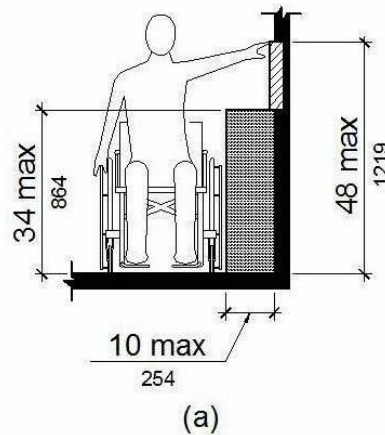
**FORWARD REACH**



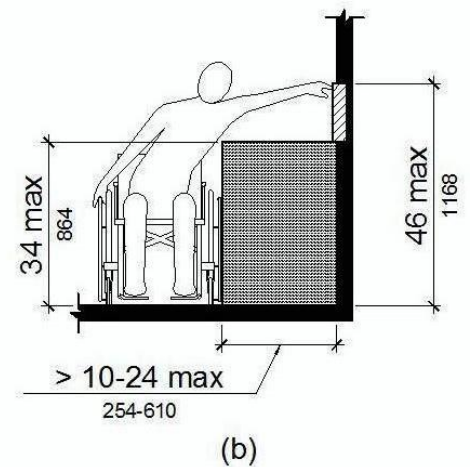
**FIGURE 11B-308.2.2  
OBSTRUCTED HIGH FORWARD REACH**



**FIGURE 11B-308.3.1  
UNOBSTRUCTED SIDE REACH**



(a)



(b)

**FIGURE 11B-308.3.2  
OBSTRUCTED HIGH SIDE REACH**

# TELEPHONES

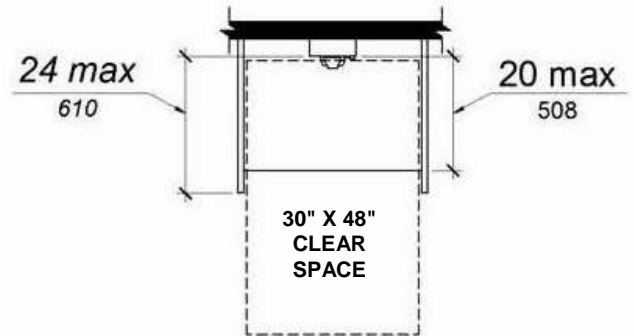
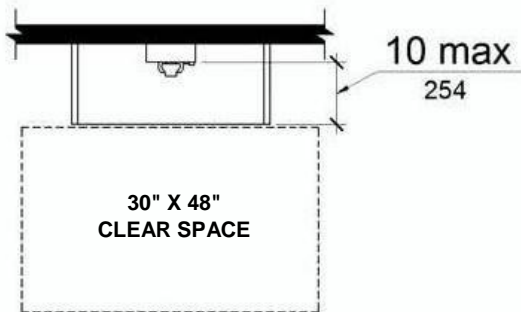
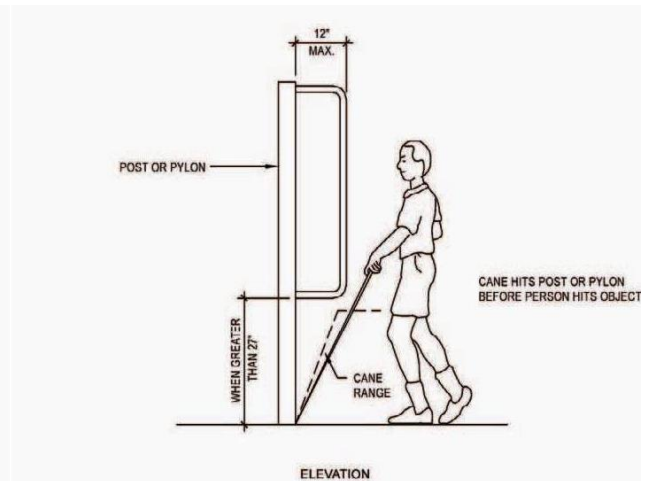
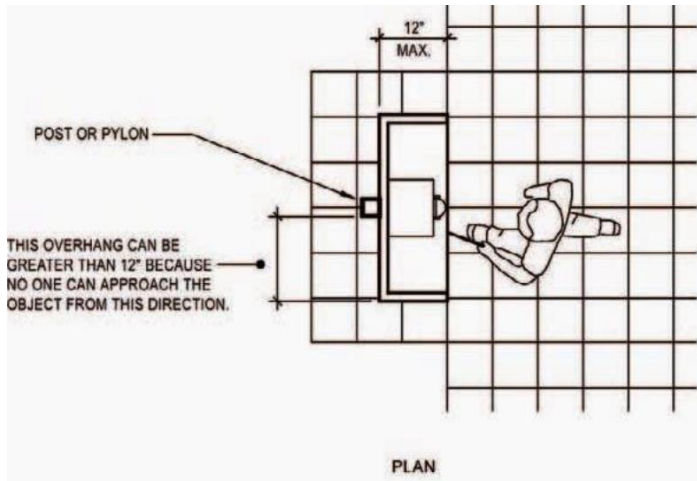
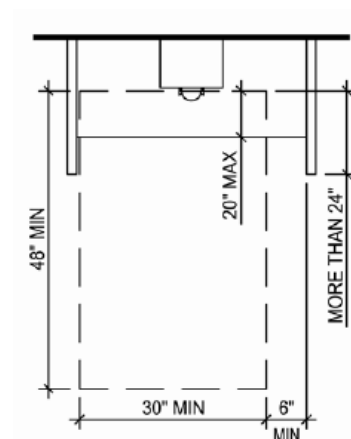
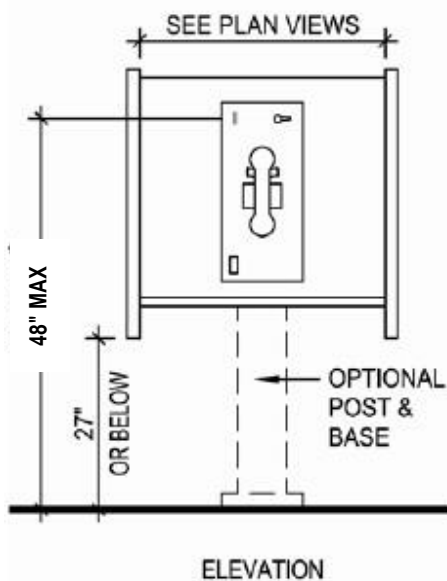


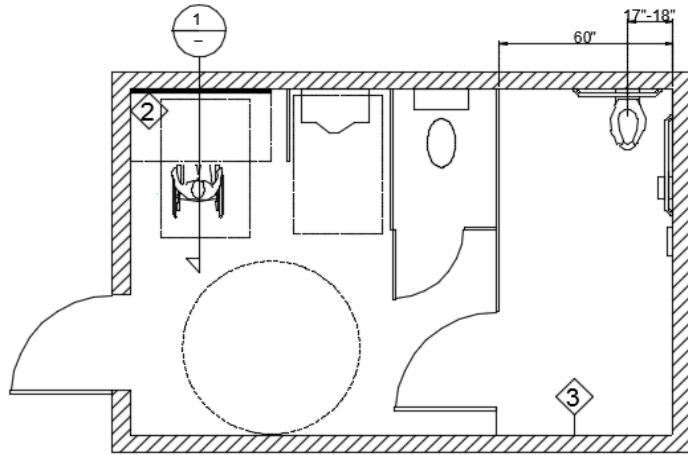
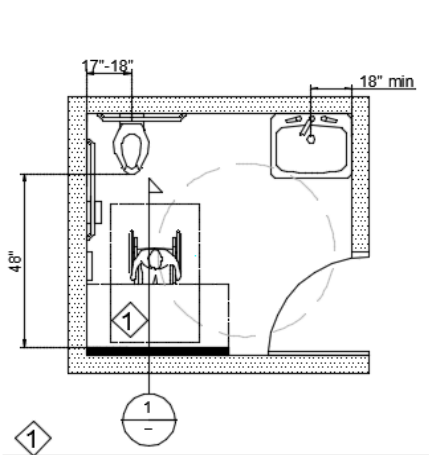
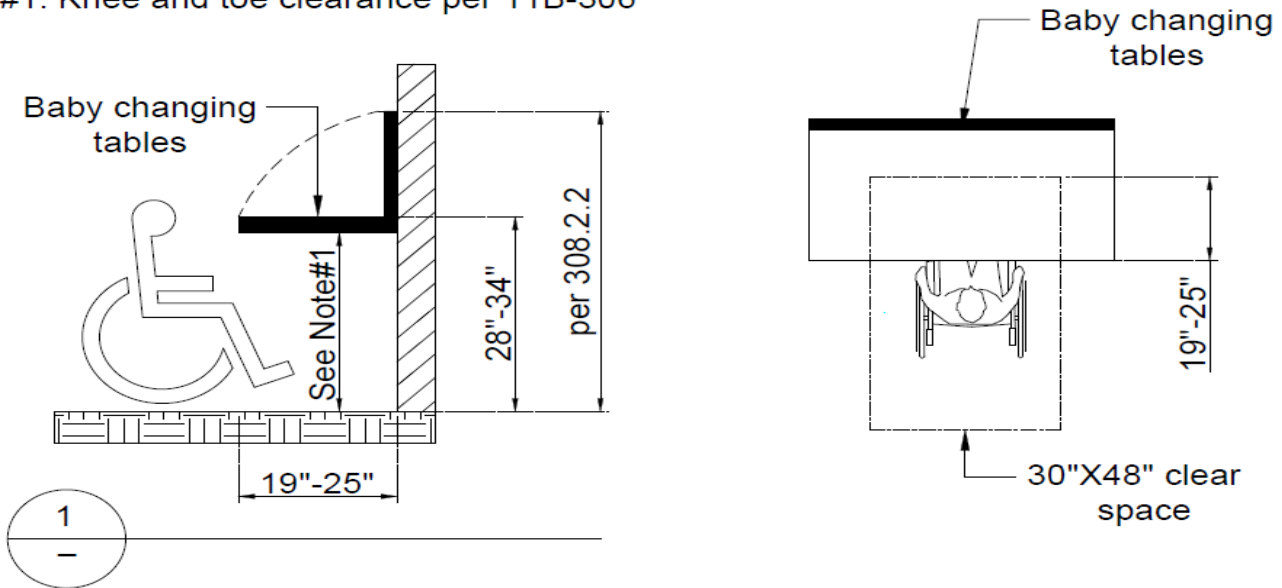
FIGURE 11B-704.2.1.1  
 PARALLEL APPROACH TO TELEPHONE

FIGURE 11B-704.2.1.2  
 FORWARD APPROACH TO TELEPHONE



# **BABY CHANGING TABLES**

Note#1: Knee and toe clearance per 11B-306



- Baby changing tables can be located in a Unisex (single-user or family) restroom.
- Baby changing tables when deployed shall not obstruct the required width of an accessible route (11B-226.4)

- ❖ Baby changing tables can be located in a common use area of a multiple accommodation toilet facility. When deployed it shall not obstruct the required width of an accessible route. (11B-226.4)
- ❖ Baby changing tables shall not be located in an accessible toilet compartments within a multiple accommodation toilet facility.

**Note:**When a sign is provided to indicate the location of baby diaper changing station is shall comply with raised character,braille and visual character ( 11B-703 ). See Sign info bulletin IB P/BC 2017-091 for additional info.