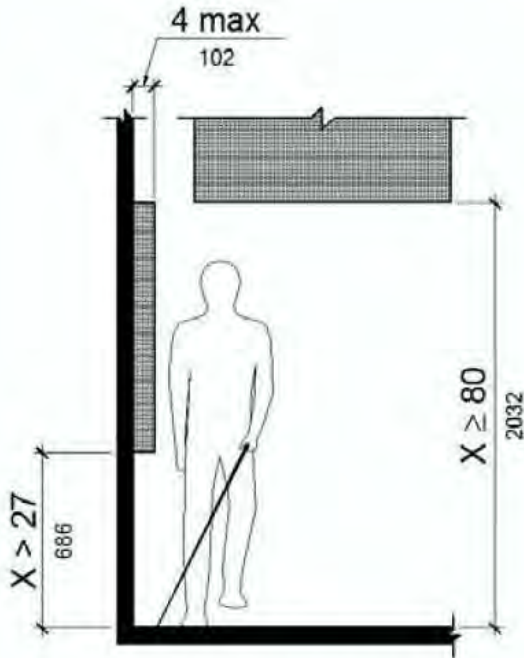
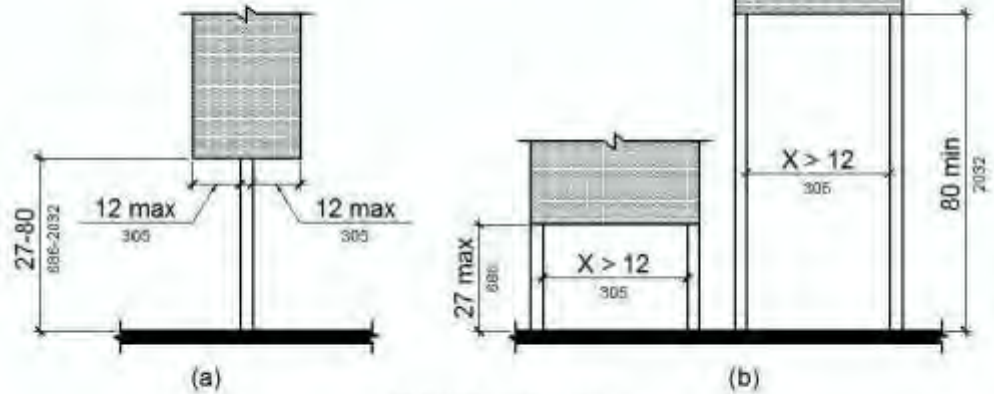


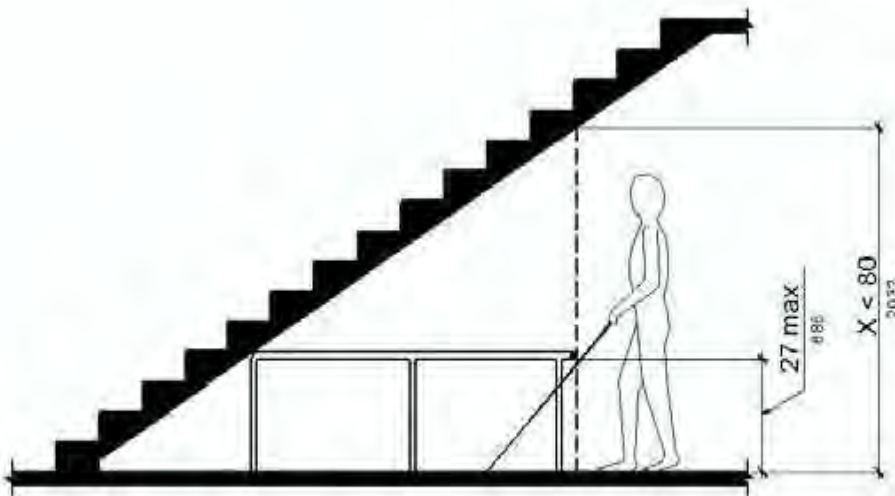
# ACCESSIBILITY DETAILS FOR OBSTRUCTIONS, REACH RANGES, CARD READERS & TELEPHONES



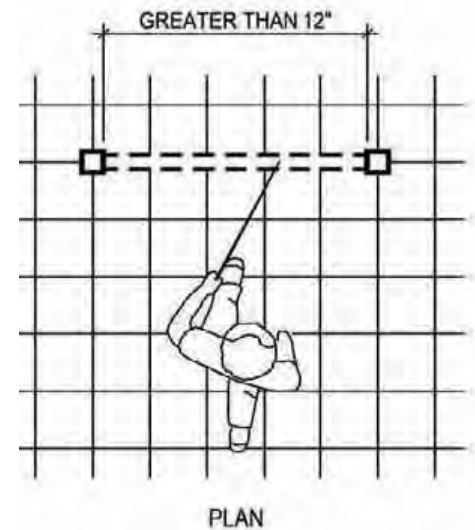
**FIGURE 11B-307.2**  
**LIMITS OF PROTRUDING OBJECTS**



**FIGURE 11B-307.3**  
**POST-MOUNTED PROTRUDING OBJECTS**

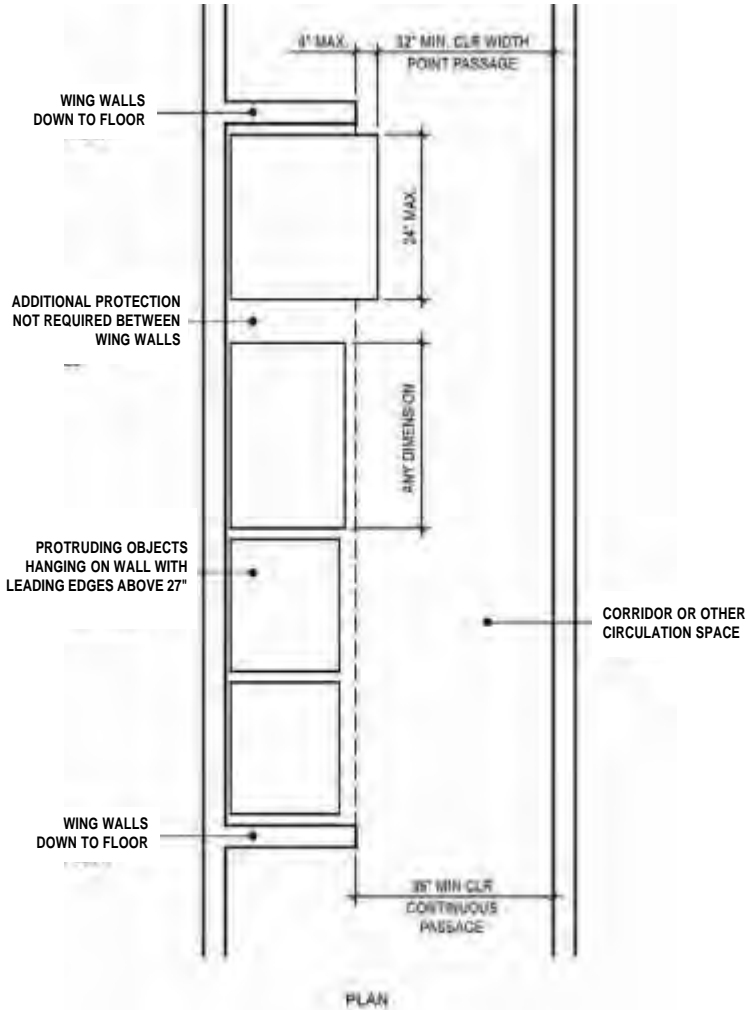


**FIGURE 11B-307.4**  
**VERTICAL CLEARANCE**

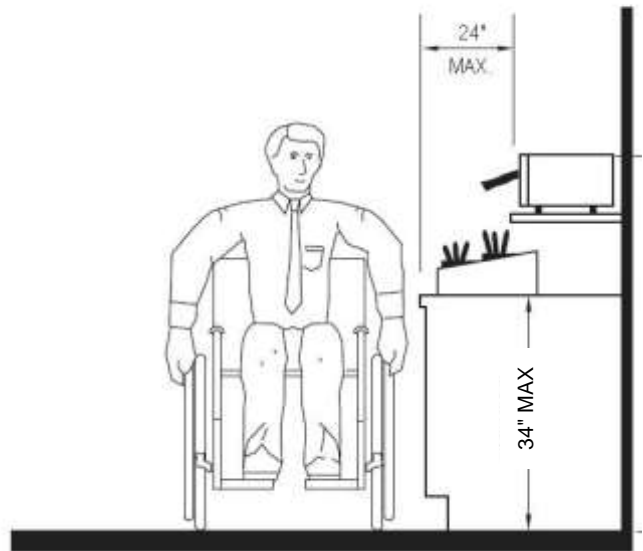
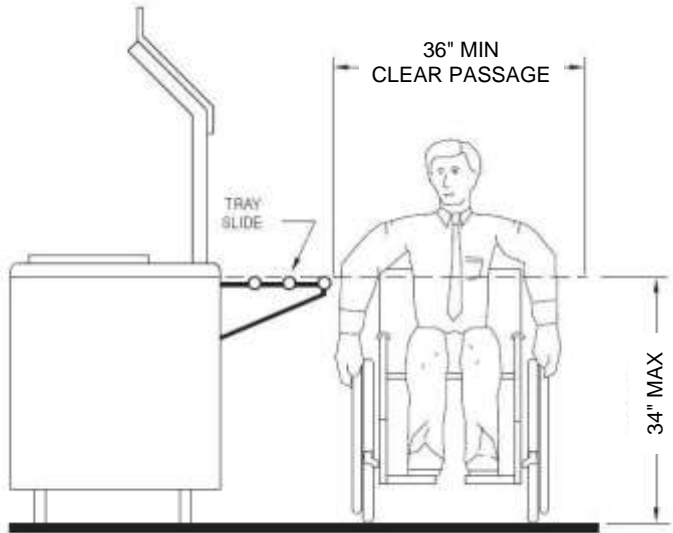


THESE DIAGRAMS ILLUSTRATE THE SPECIFIC REQUIREMENTS OF THESE REGULATIONS AND ARE INTENDED ONLY AS AN AID FOR BUILDING DESIGN AND CONSTRUCTION

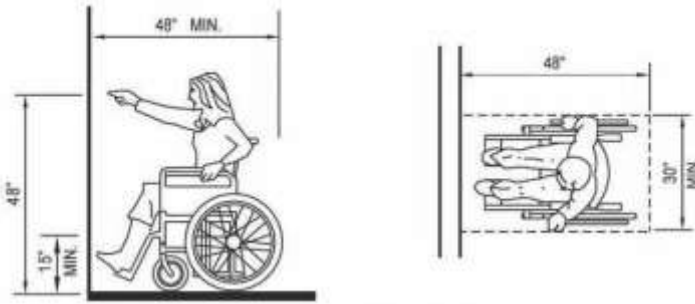
THESE DIAGRAMS ILLUSTRATE THE SPECIFIC REQUIREMENTS OF THESE REGULATIONS AND ARE INTENDED ONLY AS AN AID FOR BUILDING DESIGN AND CONSTRUCTION.



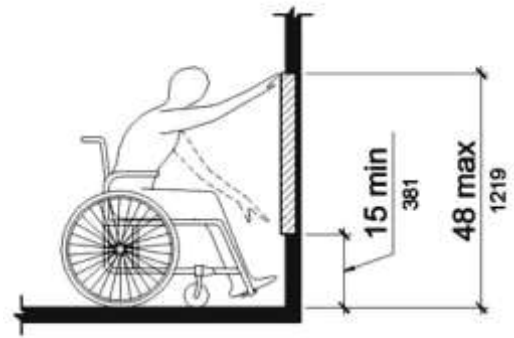
EXAMPLE OF PROTECTION AROUND WALL-MOUNTED OBJECTS AND MEASUREMENTS OF CLEAR WIDTHS



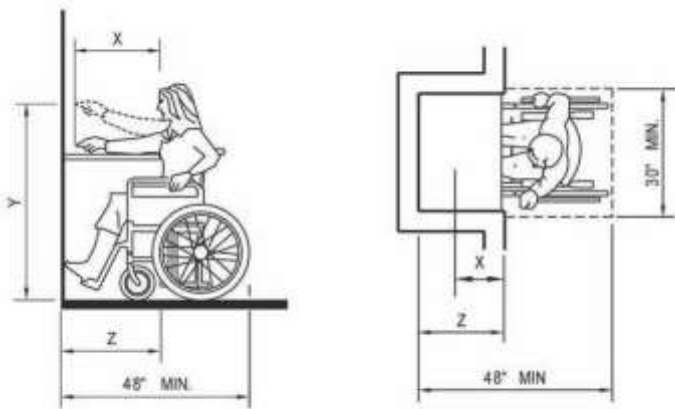
**REACH RANGE**



(\*) HIGH FORWARD REACH LIMIT

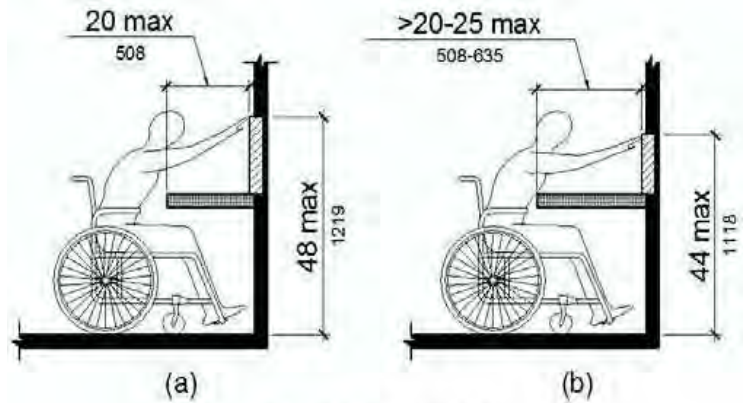


**FIGURE 11B-308.2.1  
UNOBSTRUCTED FORWARD REACH**

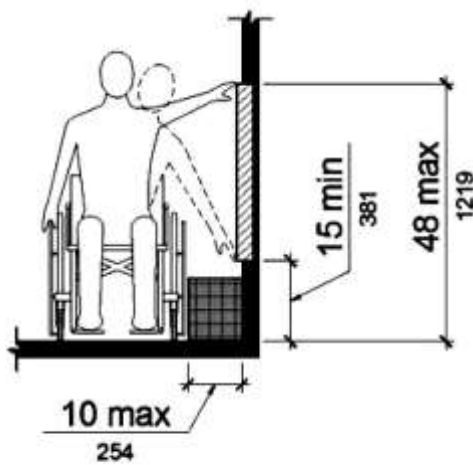


NOTE:  
 X SHALL BE LESS THAN OR EQUAL TO 25 INCHES. Z SHALL BE GREATER THAN OR EQUAL TO X. WHEN X IS LESS THAN 20 INCHES, THEN Y SHALL BE 48 INCHES MAXIMUM. WHEN X IS 20 TO 25 INCHES, THEN Y SHALL BE 44 INCHES MAXIMUM.

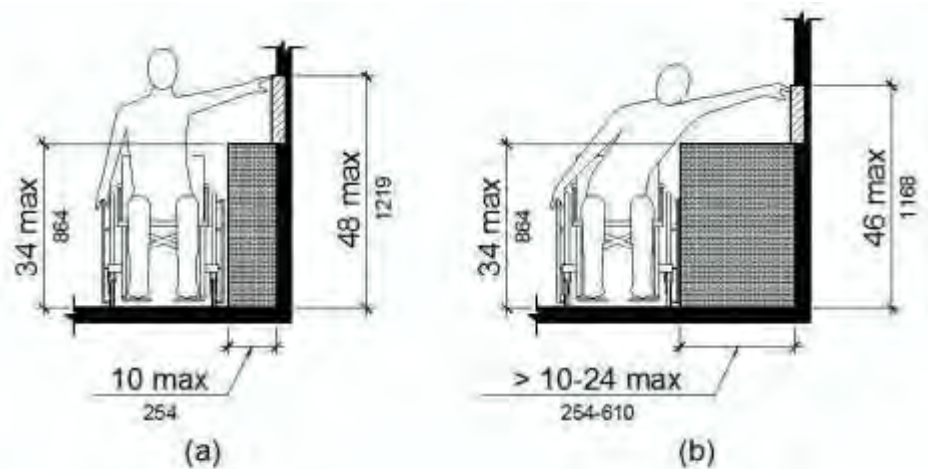
**FORWARD REACH**



**FIGURE 11B-308.2.2  
OBSTRUCTED HIGH FORWARD REACH**

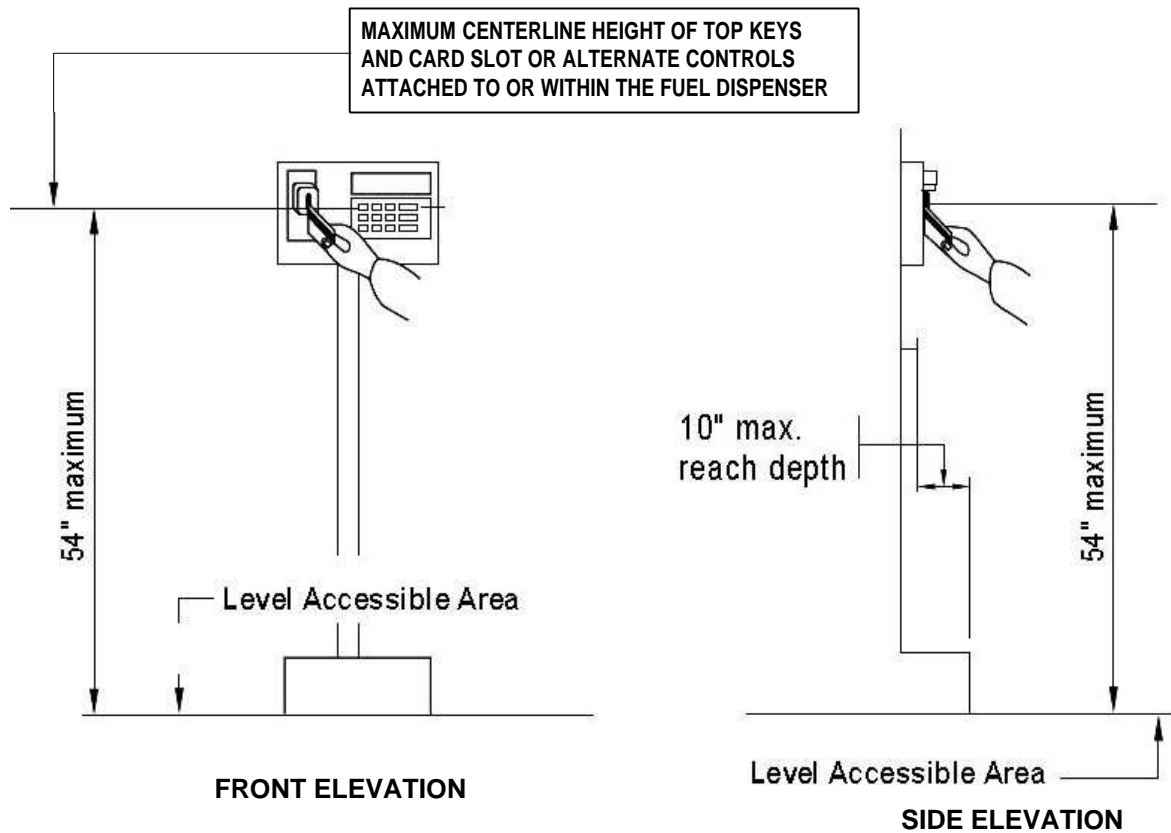
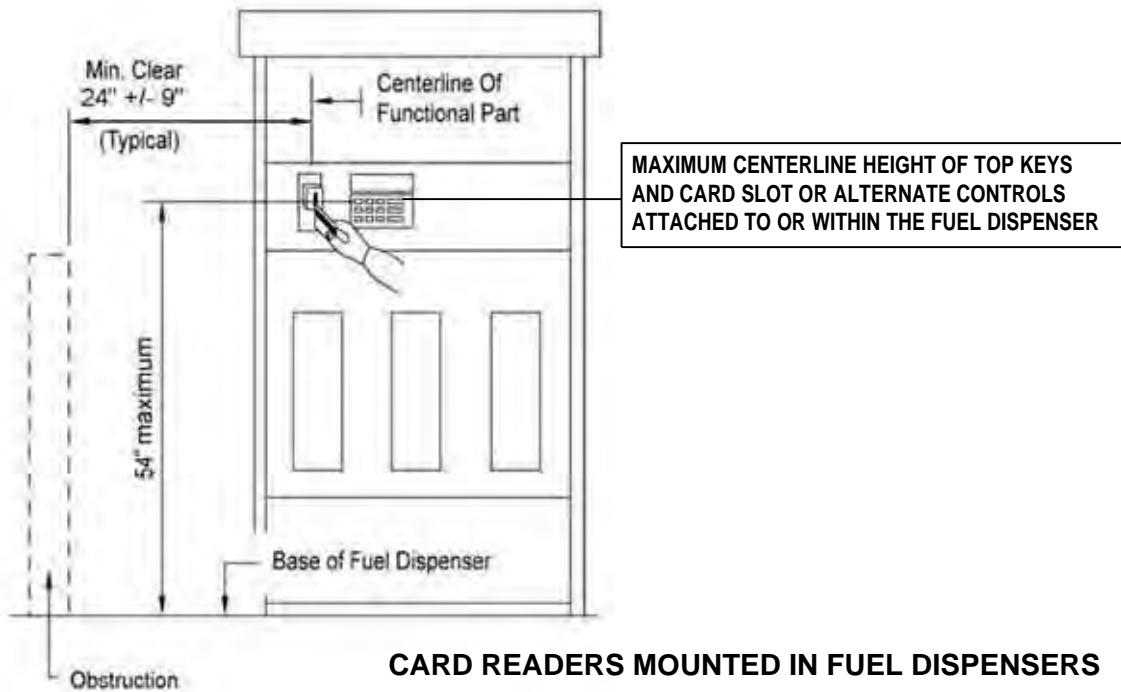


**FIGURE 11B-308.3.1  
UNOBSTRUCTED SIDE REACH**



**FIGURE 11B-308.3.2  
OBSTRUCTED HIGH SIDE REACH**

**CARD READER**



As a covered entity under Title II of the Americans with Disabilities Act, the City of Los Angeles does not discriminate on the basis of disability and, upon request, will provide reasonable accommodation to ensure equal access to its programs, services and activities.

THESE DIAGRAMS ILLUSTRATES THE SPECIFIC REQUIREMENTS OF THESE REGULATIONS AND ARE INTENDED ONLY AS AN AID FOR BUILDING DESIGN AND CONSTRUCTION.

# TELEPHONES

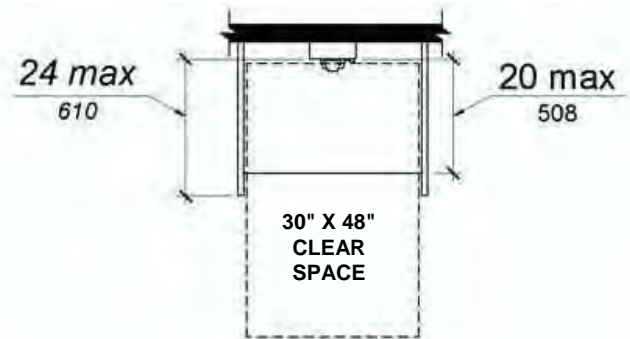
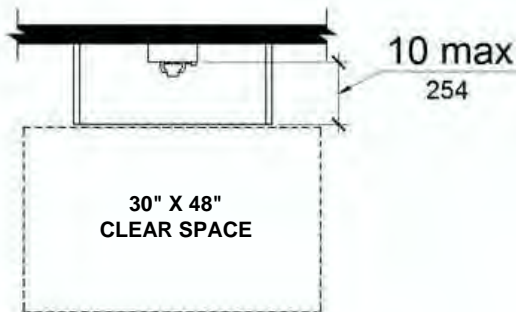
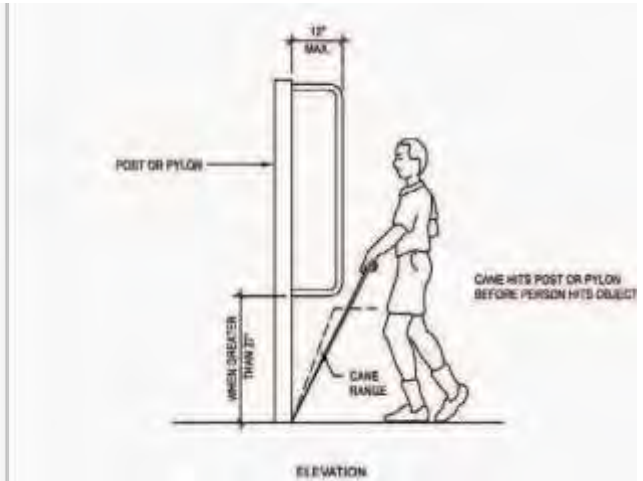
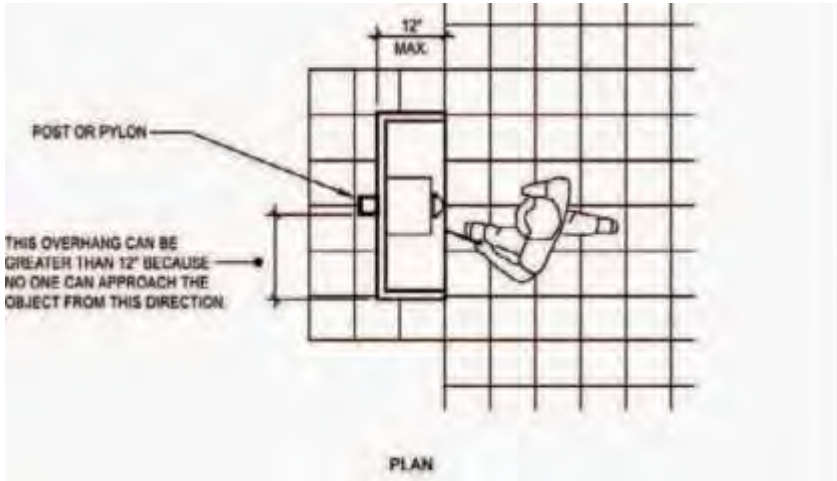


FIGURE 11B-704.2.1.1  
 PARALLEL APPROACH TO TELEPHONE

FIGURE 11B-704.2.1.2  
 FORWARD APPROACH TO TELEPHONE

